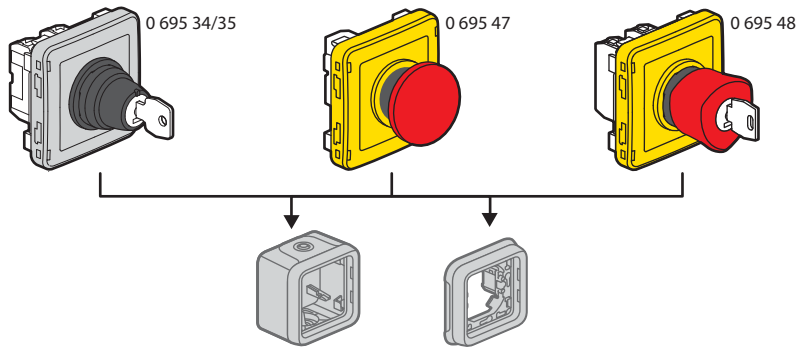


# Plexo™

## Key switch - Emergency cut-off

Cat. No(s): 0 695 34/35/47/48/49



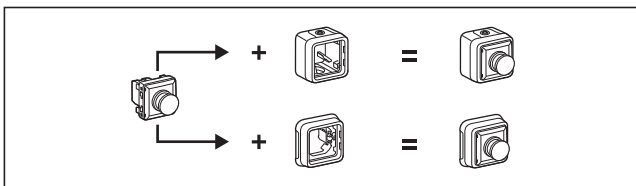
### 1. USE

Weatherproof wiring device system designed for residential and professional technical rooms (garages, cellars, car parks, workshops, industrial kitchens, etc.) and outdoor environments (terraces, gardens, camp sites, etc.).

Key switches, supplied with a set of two no. 455 Ronis keys, key withdrawal in all positions and mechanisms supplied with front plates. Mechanisms are flush or surface-mounted with boxes and supports.

### 2. RANGE

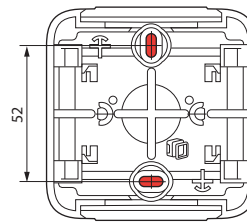
|                   | 2 versions: grey and white                                | Cat. No. |
|-------------------|---|----------|
| <b>COMPOSABLE</b> | 2-position key switch                                     | 0 695 34 |
|                   | 3-position key switch                                     | 0 695 35 |
|                   | Emergency cut-off, spring return push button, single-pole | 0 695 47 |
|                   | Emergency cut-off, spring return push button, single-pole | 0695 48  |
|                   | Emergency cut-off, push button with quarter-turn lock     | 0 695 49 |



### 3. INSTALLATION

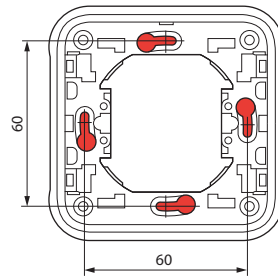
#### ■ 3.1 Surface mounting

- When back body is mounted on the support using screws, max. diameter 3 mm to 4 mm.

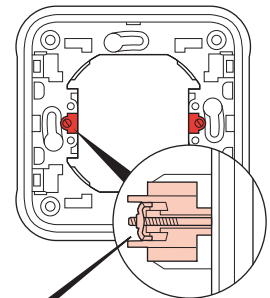


#### ■ 3.2 Flush mounting

- By screwing onto a flush-mounting box



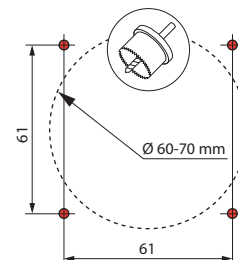
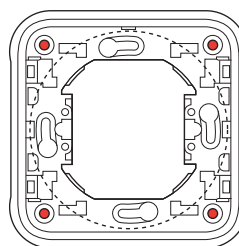
- By claws onto a flush mounting box



Possibility to place claws:  
 Cat. No. 0 849 00 or Cat. No. 0 849 01 (long claw)

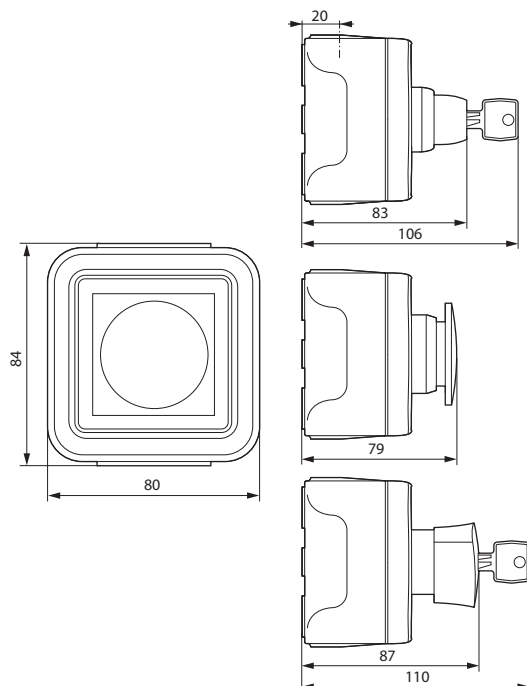
- By face plate using screws Ø 4 mm

Piercing of support material for diameter 60-70 mm using cylinder saw or punch.

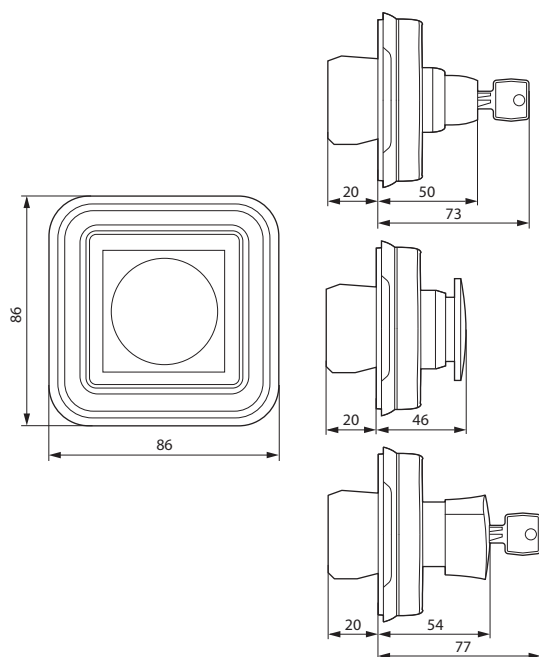


#### 4. OVERALL DIMENSIONS (mm)

##### ■ Surface-mounting



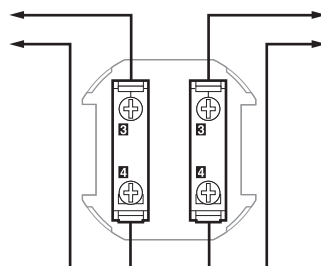
##### ■ Flush-mounting



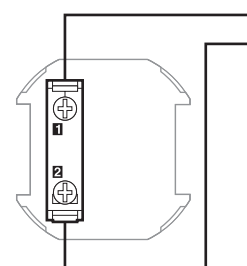
#### 5. CONNECTION

##### ■ Connection to conductors

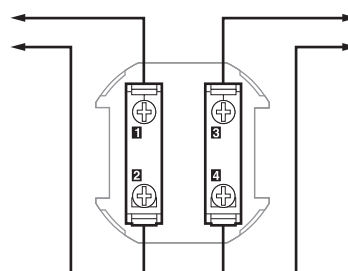
0 695 34/35



0 695 47



0 695 48/49



Type of terminals: with screws

NO and/or NC contacts

Terminal capacity: 1.5 mm<sup>2</sup> - 2.5 mm<sup>2</sup> (1 or 2 conductors)

Stripping length: 12 mm

Screwdriver: flat-blade 3.5 mm

##### Plexo module product table (contact type)

| Plexo Cat. No.      | Contact type                              | Description   |
|---------------------|---|---|
| 0 695 47            | 1 NF supplied<br>0 229 01                 | Emergency cut-off, spring return push button, 3 A-250 V single-pole   |
| 0 695 48            | 1 NF 1 NO supplied<br>0 229 01 + 0 229 02 | Emergency cut-off, spring return push button, 3 A-250 V single-pole V |
| 0 695 49            | 1 NF 1 NO supplied<br>0 229 01 + 0 229 02 | Emergency cut-off, push button with quarter-turn lock, 3 A -250 V     |
| 0 695 34            | 2 NO supplied<br>2 x 0 229 02             | 2-position key switch. 3 A -250 V                                     |
| 0 695 35            | NO supplied<br>2 x 0 229 02               | 3-position key switch. 3 A -250 V                                     |
| <b>Bloc contact</b> |   |   |
| 0 229 02            |   | NO screw terminals  |
| 0 229 01            |   | NC screw terminals  |
| 0 230 51            |   | NC spring terminals   |
| 0 230 52            |   | NO spring terminals   |

## Inter à clé - Coupure d'urgence

### 6. TECHNICAL CHARACTERISTICS

#### ■ 6.1 Protection index

Protection against solid bodies and liquids: IP 55

Protection against impact: IK 07

#### ■ 6.2 Materials characteristics

Box, support: PP

Plate, rocker: ABS

Entry gland, front plate: PP + SEBS

Mechanism: PC

UV resistant

Resistance to salt spray: 7 days (168 h)

Self-extinguishing:

+ 850°C / 30 s for insulating components holding in place live parts.

+ 650°C / 30 s for the other insulating components.

#### ■ 6.3 Electrical characteristics

| Power | Current | Voltage |
|-------|---------|---------|
| 690 W | 3 A     | 250 V~  |
| -     | 1.5 A   | 24 V=   |

#### ■ 6.4 Climatic characteristics

Storage temperature: - 25° C to + 70° C

Use temperature: - 25° C to + 40° C

### 7. CLEANING

Surface cleaning with dry cloth or cloth dipped in soapy water.

Do not use acetone, tar remover or trichloroethylene.

**Caution:** A test should be carried out before using any specific cleaners.

### 8. STANDARDS AND APPROVALS

Compliance with standards of installation and manufacturing.

Refer to e. catalogue.