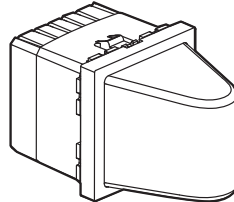


Mosaic bulkhead lights

Cat. No(s) : 785 60/61/62/63/70/71/72/73



785 60/61/62/63/70/71/72/73

1. GENERAL CHARACTERISTICS

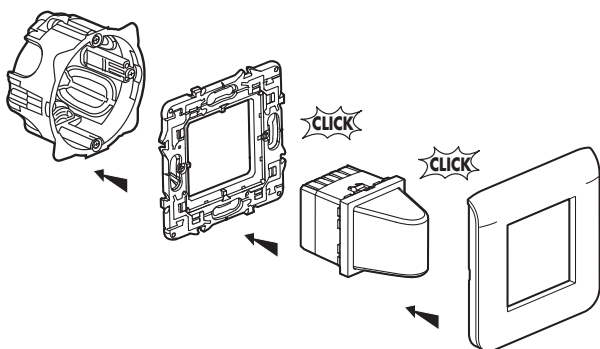
Bulkhead lights with LED lighting using different voltages and colours.

2. RANGE

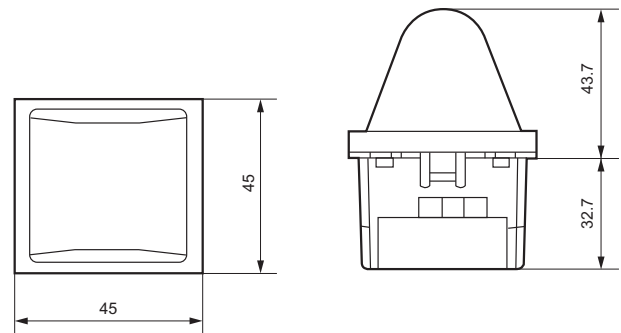
	Designation	Cat. No.	No. of modules	Fixing method	Connection method	Weight (g)	Characteristics
	Bulkhead light with red LED, 12-24 V	785 60	2	with clips	With screws	39	12-24 VAC/DC
	Bulkhead light with white LED 12-24 V	785 61	2	with clips	With screws	39	12-24 VAC/DC
	Bulkhead light with green LED 12-24 V	785 62	2	with clips	With screws	39	12-24 VAC/DC
	Bulkhead light with blue LED 12-24 V	785 63	2	with clips	With screws	39	12-24 VAC/DC
	Bulkhead light with red LED 230 V	785 70	2	with clips	With screws	39	230 VAC
	Bulkhead light with white LED 230 V	785 71	2	with clips	With screws	39	230 VAC
	Bulkhead light with green LED 230 V	785 72	2	with clips	With screws	39	230 VAC
	Bulkhead light with blue LED 230 V	785 73	2	with clips	With screws	39	230 VAC

3. PREPARATION

The mechanisms can be flush-mounted or surface-mounted.
Modular mechanisms using adapter Cat. No. 802 99 (2 modules).
The mechanisms are mounted on thin walls using adapter Cat. No. 802 91 (2 modules).

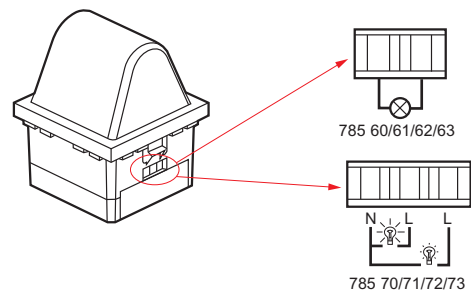


4. OVERALL DIMENSIONS



5. CONNECTION

Type of screwdriver : flat-blade screwdriver 3.5 mm or Philips No. 1 or posidrive No. 1 or mixed size 0.
Terminal capacity : 2.5 mm² or 2 x 1.5 mm²
Stripping length : 8 mm



6. TECHNICAL CHARACTERISTICS

6.1 Mechanical characteristics

Impact tests : IK 04
Penetration by solid bodies/liquid : IP 41 (C15-100)

6.2 Material characteristics



Base : Polycarbonate
Cover plate : ABS (RAL 9003)
Diffuser : Polycarbonate

Mosaic bulkhead lights



Cat. No(s) : 785 60/61/62/63/70/71/72/73

6.3 Electrical characteristics

Self-extinguishing : 650°C/ 30 s (not concerned by standards governing public buildings since P < 5 W).

Catalogue numbers	785 70/71/72/73	785 60/61/62/63	
Voltage	230 V	12-24 V	
Frequency	50/60 Hz	50/60 Hz or DC	
Power	1 W 	0.2 W 	0.7 W

6.4 Brightness levels

Catalogue numbers	Brightness (cd /m ²)	
785 60	40	
785 61	750	
785 62	150	
785 63	70	
		
785 70	45	10
785 71	450	100
785 72	120	35
785 73	65	20

Brightness levels in candela per m²

6.5 Climatic characteristics

Storage temperatures : - 10°C to + 70°C

Operating temperatures : - 5°C to + 50°C

7. CLEANING

Surface cleaning with a cloth.

Do not use : acetone, tar remover, trichloroethylene.

7.1 Resistance to cleaning agents

Resistance to the following agents : Hexane (EN 60669-1), Methylated spirits, Soapy water, Diluted ammonia, Diluted pure bleach 10%, Glass cleaning substance, Pre-impregnated wipes.

7.2 Resistance to hospital-type cleaning agents

Resistance to the following agents : Anios, Surfanios, Bactily sine, Diluted hydrogen peroxide (35%).

Caution : A preliminary test should be carried out if other specific cleaning products are to be used.

8. ACCESSORIES

747 90 : Set of labels with numbers from 0 to 9 and letters from A to Z.

9. CONFORMITY - APPROVALS

Approvals in process : NF