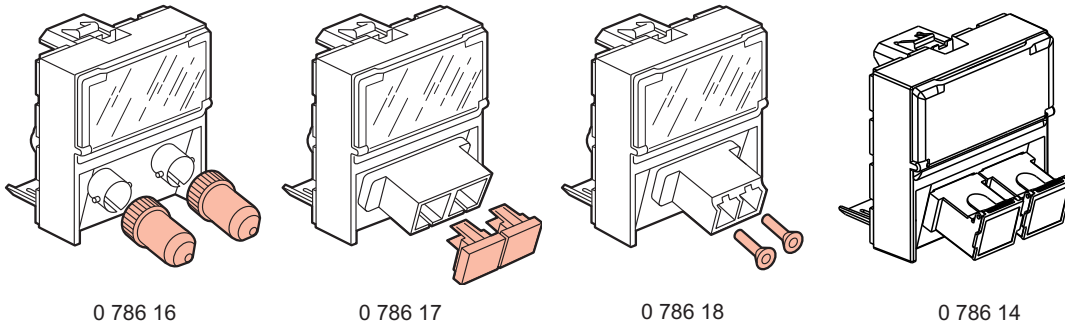


**Mosaic™**  
**Fibre optic feedthrough sockets**

Catalogue number(s): 0 786 14/16/17/18



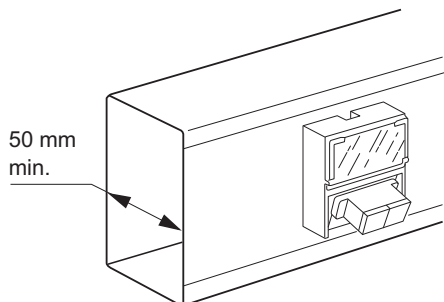
**1. USE**

The fibre optic feedthrough sockets have duplex or double simplex feedthroughs: 2 inputs/2 outputs.  
They are used to connect 2 fibres (fitted with their connectors). They are supplied with protective caps and fitted with a transparent marker holder.  
Number of modules : 2

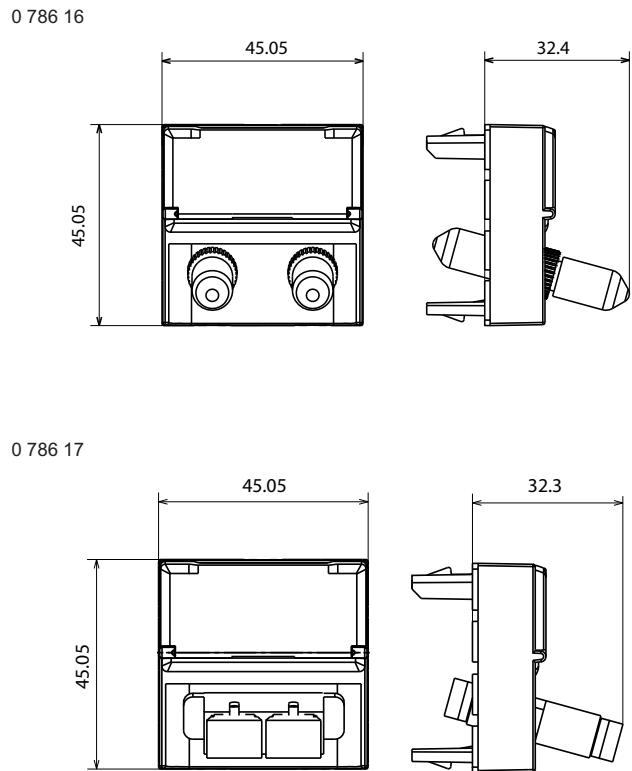
**2. RANGE**

	Description		Mosaic	Weight (g)
	Multimode Feedthrough socket Bayonet connection White	ST	0 786 16	49
	Multimode Feedthrough socket Push-pull connection White	SC	0 786 17	48
	Multimode Feedthrough socket Push-pull connection White	LC	0 786 18	47
	Singlemode Feedthrough socket Double simplex with flap White	SC/APC	0 786 14	42

**3. MOUNTING: example**



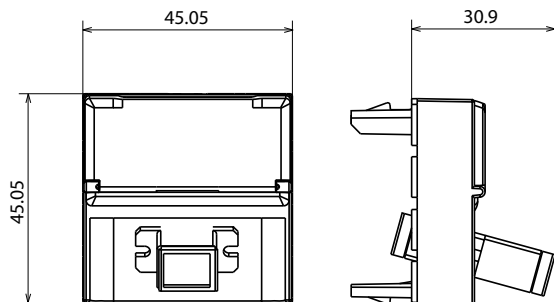
**4. OVERALL DIMENSIONS**



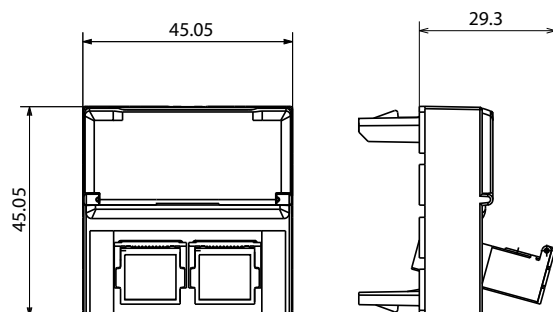
## Fibre optic feedthrough sockets

### 4. OVERALL DIMENSIONS (continued)

0 786 18



0 786 14



### 5. TECHNICAL FEATURES

#### 5.1 Features of the connectors

ST connector

- Multimode
- Helical shape
- Locked by "push and turn" bayonet type connector

SC connector

- Multimode
- Rectangular shape
- "Push-pull" latch type locking
- Suitable for a large number of active devices
- Recommended in the generic standards ISO/IEC 11801 and EN 50173
- Conform to IEC 60874-19-3

LC connector

- Multimode
- Rectangular shape
- Tab locking
- Size: half the size of a conventional connector

SC/APC connector

- Singlemode APC
- Insertion loss: 0.2 dB
- Endurance (500 insertions): increase of 0.2 dB maximum

IK4  
IP21

#### 5.2 Climatic features

- Usage and storage temperature: - 40°C to + 85°C