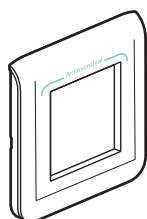
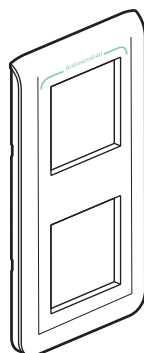


Mosaic™ Antimicrobial* plates

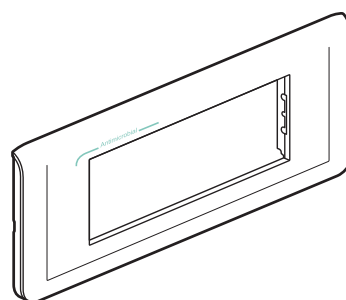
Cat. No(s): 0 787 22L/23L/24L/25L/26L



0 787 22L



0 787 23L



0 787 26L

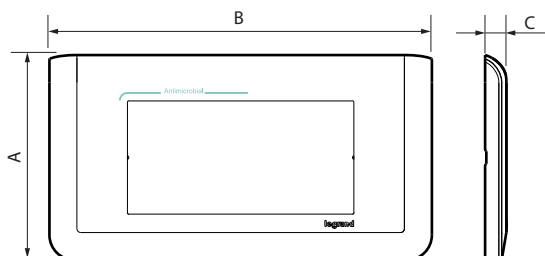
1. USE

Plates for Mosaic mechanism of 2 to 6 modules.
 These products are made of silver-ion based antimicrobial* material.
 This technology eliminates bacteria, fungi and viruses without creating any immunisation or resistance effects (physical, rather than chemical, destruction).
 Particularly suitable for healthcare establishments (hospitals, clinics, nursing homes, laboratories, waiting rooms, etc.) and more generally for areas subject to hygiene restrictions (industrial, shared and restaurant kitchens, waste, etc.).
 These products offer an additional way of ensuring the non-proliferation of bacteria, fungi and viruses without interfering with cleaning protocols
 Clips onto supports with claws and/or screws.

2. RANGE

Description	White
2 modules plate	0 787 22L
2 x 2 modules plate - vertical	0 787 23L
4 modules plate - horizontal	0 787 24L
2 x 2 modules plate - horizontal	0 787 25L
6 modules plate - horizontal	0 787 26L

3. DIMENSIONS (mm)



Cat. No	A	B	C
0 787 22L	82	82	8.5
0 787 23L	153	82	8.5
0 787 24L	82	153	8.5
0 787 25L	82	153	8.5
0 787 26L	82	224	8.5

4. TECHNICAL CHARACTERISTICS

- **4.1 Mechanical characteristics**
 Protection against impact: IK 04
- **4.2 Material characteristics**
 Plates: Polyglass appearance
 Halogen-free
 UV-resistant
 ABS White RAL 9003 with antimicrobial* treatment
 Subplate: Opalescent PC
 Self-extinguishing: 650°C/30 s
- **4.3 Climate characteristics**
 Storage temperature: - 10°C to + 70°C
 Usage temperature: - 5°C to + 35°C

5. CLEANING

Surface cleaning with a cloth.
 Do not use: acetone, tar remover, trichloroethylene.
 Resistance to the cleaning products: Hexane (EN60669-1), Methylated spirit, Soapy water, Diluted ammonia, Pure bleach diluted to 10%, Window-cleaning products, Pre-impregnated wipes.
 Resistance to type cleaning hospital: Anios, Surfanios, Bactilycine, Diluted hydrogen peroxide (35 %).

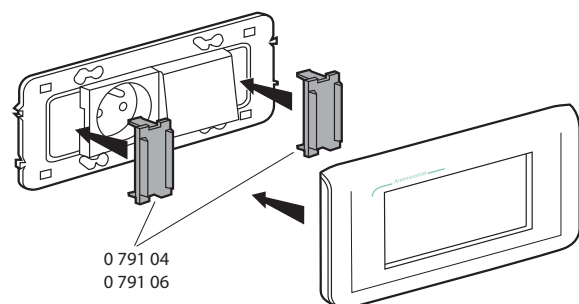
Caution: Always test before using other special cleaning products

The plates must not be painted.

6. ACCESSORIES

For 4 and 6-module plates, use blanking plates:

Plates	Blanking plates
4 modules	0 791 04
6 modules	0 791 06



7. STANDARDS AND APPROVALS

Conform to installation and manufacturing standards.
See e. catalogue.

*Contains silver ions that limit the development of bacteria on the surface.