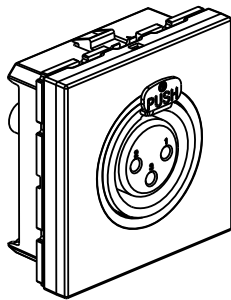
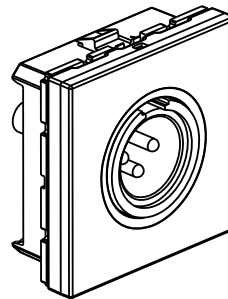


Mosaic™
XLR socket outlets

Cat. No(s): 787 55/56 - 792 55



787 55 - 792 55



787 56

1. USE

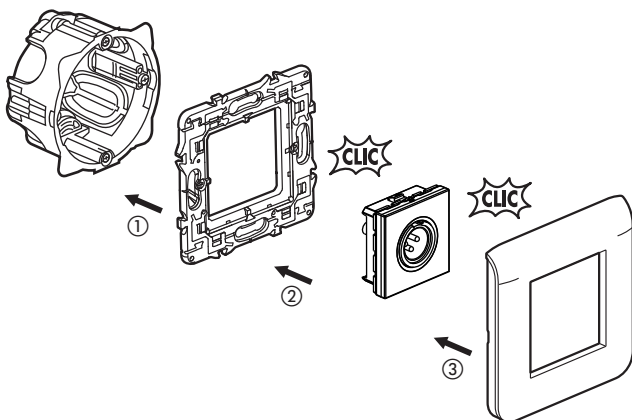
For connecting a microphone or a remote console to an amplifier.
Audio stereo link to any peripheral, amplifier, mixing table, DVD player, camera, VTR, video conference equipment, etc.

2. RANGE

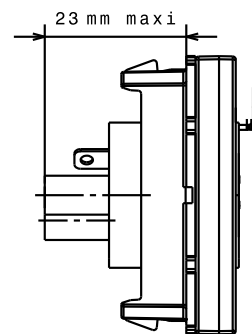
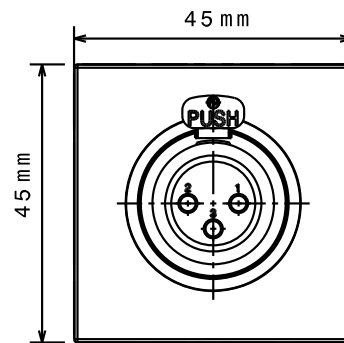
| | Designation | Cat. No. | Modules | Fixing method | Connection method | Weight (g) |
|--|--|----------|---------|---------------|-------------------|------------|
| | XLR audio socket female | 787 55 | 2 | With clips | With screws | 24 |
| | XLR audio socket female Aluminium cover plate | 792 55 | 2 | With clips | With screws | 24 |
| | XLR audio socket male | 787 56 | 2 | With clips | With screws | 22.3 |

3. PREPARATION

- The mechanisms can be flush-mounted or surface-mounted.
- Modular mechanisms using adapter Cat. No. 802 99 (2 modules).
- The mechanisms are mounted on thin walls using adapter Cat. No. 802 91 (2 modules).



4. OVERALL DIMENSIONS



5. CONNECTION

Wide terminal strip taking a 1 mm² conductor max.

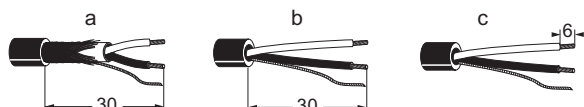
Supplied in a bag containing:

- 1 Colring tie
 - ferrules to be crimped for conductor < 0.5 mm²
 - thermoformable sheaths
- Cable bend radius: 35 mm

Stripping

Recommended wire: audio wire 2 x 0.22 mm² to 0.40 mm².

- a - Cable unsheathing length: 30 mm.
Recover the drain wire of the cable's general shielding
- b - Remove the braid and the aluminium shielding tape
- c - Core stripping length: 6 mm.



Wiring

Wide terminal strip taking a 1 mm² conductor max.

Supplied in a bag containing:

- 1 Colring tie
- ferrules to be crimped for conductor < 0.5 mm².

Tools required: flat-blade screwdriver 0.4 x 2.5 mm and flat-nose pliers.

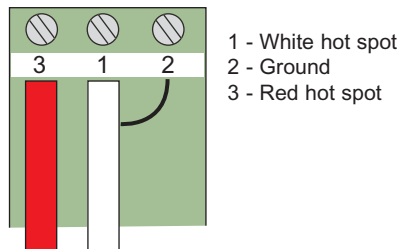
Insulate the drain wire using the neoprene sleeve supplied, thread it into the ferrule supplied and crimp it using the flat-nose pliers.

Thread the cores into the ferrules supplied and crimp them using the flat-nose pliers.

Start by wiring the drain wire, then the cores.

Hold the cable mechanically using the cable clamp supplied.

Follow the cabling instructions below:



6. TECHNICAL CHARACTERISTICS

6.1 Mechanical characteristics

Impact tests: IK 04

Penetration by solid bodies/liquid: IP 40

6.2 Material characteristics

Base: Polycarbonate

Cover: ABS (RAL 9003)

Self-extinguishing: 650°C / 30 s

6.3 Climatic characteristics

Storage temperature: - 10°C to + 70°C

Operating temperature: - 5°C to + 50°C

7. CLEANING

Surface cleaning with a cloth.

Do not use: acetone, tar remover, trichloroethylene.

7.1 Resistance to cleaning agents

Resistance to the following agents:

- Hexane (EN 60669-1)
- Methylated spirits
- Soapy water
- Diluted ammonia
- Diluted pure bleach 10%
- Glass cleaning product
- Pre-impregnated wipes

7.2 Resistance to hospital-type cleaning agents

Resistance to the following agents:

- Anios
- Surfanios
- Bactylisine
- Diluted hydrogen peroxide (35%)

Caution: A preliminary test should be carried out if other specific cleaning products are to be used.