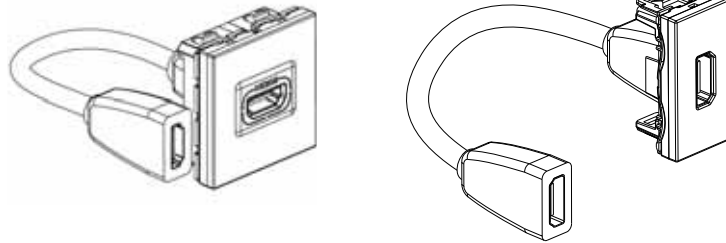


Mosaic™
HDMI socket

Cat. No(s): 0 787 78 - 0793 68/78 - 789 79L - 0 792 79L
0 794 78L - 0794 79L



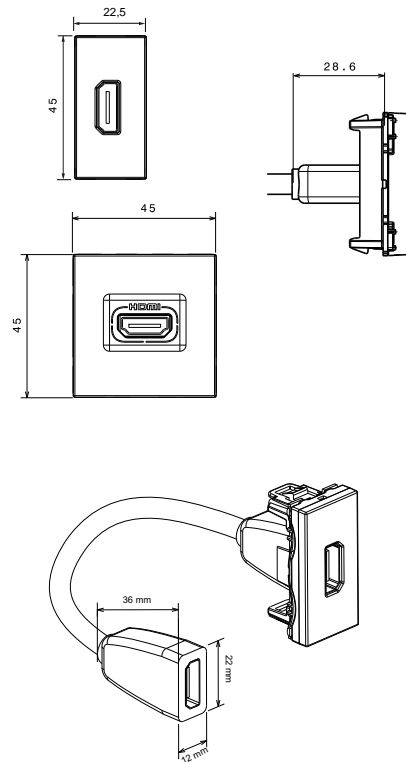
1. USE

HDMI sockets are used to transmit High Definition digital audio/video streams between a source (computer, DVD or Blu-Ray player, etc) and a compatible receiver (TV, video projector, etc).
To ensure a high-quality result, the connection between the two devices should not exceed a certain distance (see audio/video characteristics table).
For longer connections, it is necessary to provide a booster system in the installation.
The connectors are type A and conform to the HDMI standard.
Equipped with a 15 cm cord and 2 female connectors.

2. RANGE

Description	Cat. No.	Modules	Fixing method	Connection method
Preterminated HDMI socket, white	0 787 78	1	Clips	Plug-in
Preterminated HDMI socket, black	0 793 68	1	Clips	Plug-in
Preterminated HDMI socket, white	0 793 78	1	Clips	Plug-in
Preterminated HDMI socket, white	0 789 79L	2	Clips	Plug-in
Preterminated HDMI socket, aluminium	0 792 79L	2	Clips	Plug-in
Preterminated HDMI socket, matt black	0 794 78L	2	Clips	Plug-in
Preterminated HDMI socket, white	0 793 79L	1	Clips	Plug-in

3. DIMENSIONS



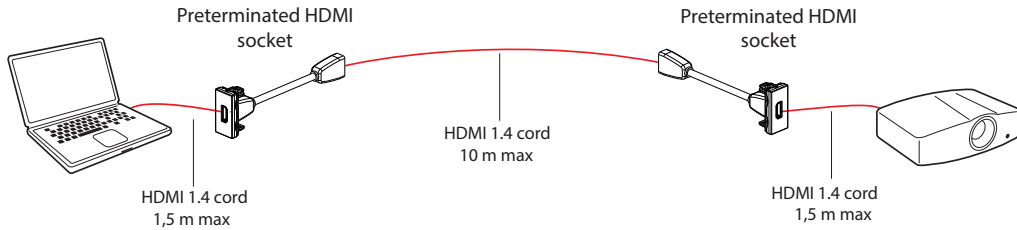
4. TECHNICAL CHARACTERISTICS

4.1 Audio/Video characteristics

Values indicated for an installation set up in accordance with best practice and connected in compliance with existing standards. Any additional accessories and cords should comply with these same criteria.

HDMI version 1.4

Max. resolution (pixels): 1080 p



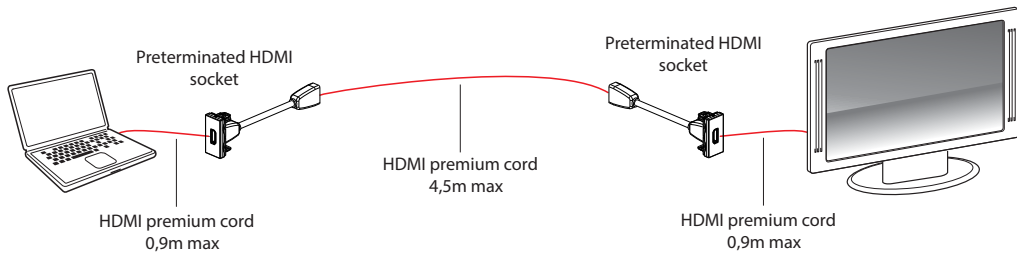
HDMI version 2.0

Max resolution (pixels): 2160p

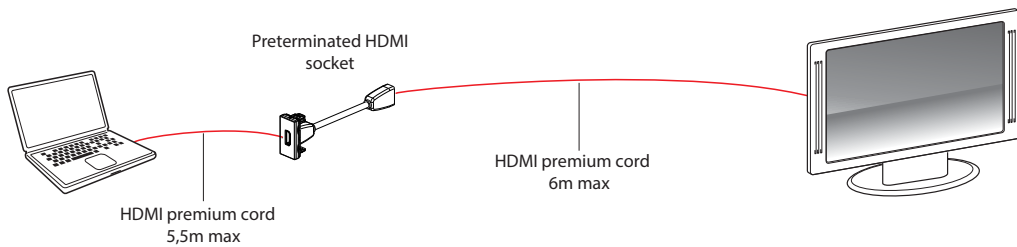
Format 16/9: 2160p, 60Hz, RGB

Format 21/9: 3840 x 2160p, 60Hz, RGB

Configuration 1



Configuration 2



4. TECHNICAL CHARACTERISTICS

4.2 Mechanical characteristics

Min. depth of box : 50 mm
Impact tests: IK 04
Penetration by solid/liquid matter: IP 40

4.3 Material characteristics

Cover plate: ABS (RAL 9003)
Self-extinguishing: 650°C/30 s

4.4 Climate characteristics

Storage temperature: -10°C to +70°C
Usage temperature: -5°C to +50°C

5. CARE

Clean the surface with a cloth.
Do not use acetone, tar-removing cleaning agents or trichloroethylene.

5.1 Resistance to cleaning products

Resistant to the following products: - Hexane (EN 60669-1)
- Methylated spirit
- Soapy water
- Diluted ammonia
- Bleach diluted to 10%
- Window-cleaning products
- Pre-impregnated wipes

5.2 Resistance to hospital-grade cleaning products

Resistant to the following products: - Anios
- Surfanios
- Bactily sine
- Hydrogen peroxide
(35% oxygenated water)

Caution: Always test before using other special cleaning products.