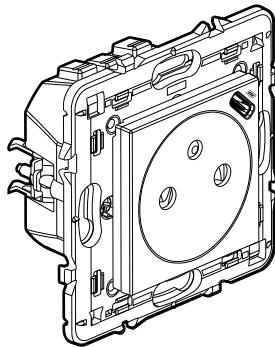
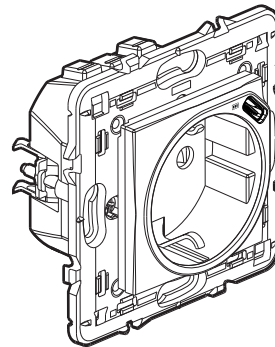


**Mosaic™**  
**2 P+E + USB Type C mixed socket outlet**

Cat. Nos: **0 771 61L - 0 791 61L - 0 793 61L**  
**0 772 71L - 0 791 71L - 0 793 71L**



0 771 61L - 0 791 61L - 0 793 61L



0 772 71L - 0 791 71L - 0 793 71L

**1. USE**

2 P+E socket outlets with child protection.

USB Type C socket: for recharging portable devices such as phones, smartphones, tablets, MP3, MP4, loudspeakers, watches, game consoles, powerbanks.

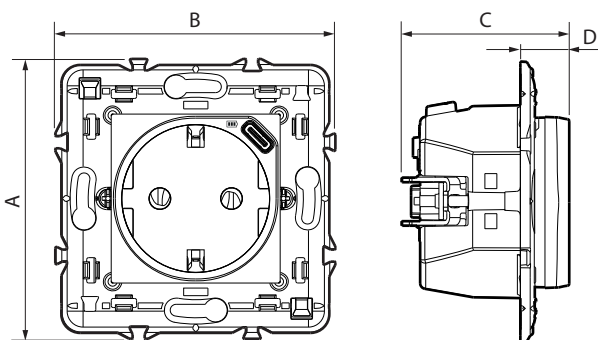
Recessed mounting in box depth 40 mm min (Multi-station compatible box).

Fixing with screws and/or claws.

**2. RANGE**

Description French standard	White	Mat Black	Alu
Mixed socket composed of: - 2 P+E socket flush surface - 16 A - 250 V~ - single USB socket - 5 V= - 1.5 A - 7.5 W Supplied with secable support (spacing 71 mm) and cover plate.	0 771 61L	0 791 61L	0 793 61L
Description German standard	White	Mat Black	Alu
Mixed socket composed of: - 2 P+E socket - 16 A - 250 V~ - single USB socket - 5 V= - 1.5 A - 7.5 W Supplied with secable support (spacing 71 mm) and cover plate.	0 772 71L	0 791 71L	0 793 71L

**3. DIMENSIONS (mm)**



References	A	B	C	D
0 771 61L - 0 791 61L - 0 793 61L	74	74	41.5	10.2
0 772 71L - 0 791 71L - 0 793 71L	74	74	44.5	13

**4. CONNECTION**

■ **4.1 2 P+E socket outlet**

Type of terminals: automatics

Terminal capacity: 6 x 2.5 mm<sup>2</sup>

Stripping length: 11 mm

Flexible or rigid cables compatible

■ **4.2 Type C USB socket**

Prewired socket

## 5. TECHNICAL CHARACTERISTICS

### ■ 5.1 Mechanical characteristics

Protection against impact: IK 04

Protection against solid bodies and liquids: IP 40

### ■ 5.2 Material characteristics

Mechanism casing: PC

Cover plate: PC White RAL 9003 - PC painted Aluminium

Support: PC grey RAL 7016 + metal

Claws: Steel

Halogen free

UV resistant

Self-extinguishing:

850° C / 30 s for insulating parts holding live parts in place

650° C / 30 s for other parts made of insulating materials.

### ■ 5.3 Electrical characteristics 2 P+E socket

Voltage: 250 V~

Current: 16 A

Frequency: 50/60 Hz

### ■ 5.4 Electrical characteristics USB socket

Integrated surge protection

All values listed below are measured at an ambient temperature of + 25° and after 15 minutes of operation.

Connector	USB Type C
Nominal input voltage	250 V~
Nominal input frequency	50-60 Hz
Nominal input current	200 mA
Standby power consumption	0.07 W - 0.075 W
Nominal output voltage	5 V=
Nominal output current	1.5 A
Efficiency can meet energy star level "VI" (≥ 76% measured at USB socket output side)	
Safety standard	EN62368-1
Protection class	II - Low voltage

### ■ 5.5 Climatic characteristics

Storage temperature: - 10° C to + 70° C

Use temperature: - 5° C to + 35° C

## 6. CLEANING

Surface cleaning with a cloth.

Do not use: acetone, tar remover, trichlorethylene.

**Caution:** A preliminary test should be carried out if other specific cleaning products are to be used.

## 7. STANDARDS AND APPROVALS

Compliant with installation and manufacturing standards.

See e-catalogue.