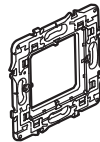


Mosaic™ and Celiane™ Universal support frames

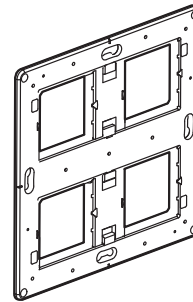
Cat. No(s): 802 50/51/52/53/54/59/61/64/66/68/69



802 50



802 51



802 64

1. USE

Universal metal support frames for mounting Mosaic and Celiane mechanisms
Supplied with worksite protection cover.

2. RANGE

| | Designation | Cat. No. | Number of modules/gangs | Fixing method | Weight (g) |
|--|-----------------------------|----------|--------------------------------|--------------------|------------|
| | 1-module support frame | 802 50 | 1 module | with screws | 14.23 |
| | 1-gang support frame | 802 51 | 1-gang 2 modules | with screws | 24.74 |
| | 2-gang support frame | 802 52 | 2-gangs 4/5 modules | with screws | 58.83 |
| | 3-gang support frame | 802 53 | 3-gangs 6/8 modules | with screws | 86.95 |
| | 4-gang support frame | 802 54 | 4-gangs 10 modules | with screws | 116.29 |
| | 3-module support frame | 802 59 | 3 modules | with screws | 47.65 |
| | 1-gang support frame | 802 61 | 1-gang 2 modules | à griffes standard | 36.48 |
| | 1-gang support frame | 802 69 | 1-gang 2 modules | à griffes longues | 39.40 |
| | 2 x 2-gang support frame | 802 64 | 2 x 2-gangs 2 x 4/5 modules | with screws | 187.77 |
| | 2 x 3-gang support frame | 802 66 | 2 x 3-gangs 2 x 6/8 modules | with screws | 268.00 |
| | 2 x 10-module support frame | 802 68 | 2 x 10 modules | with screws | 290.90 |

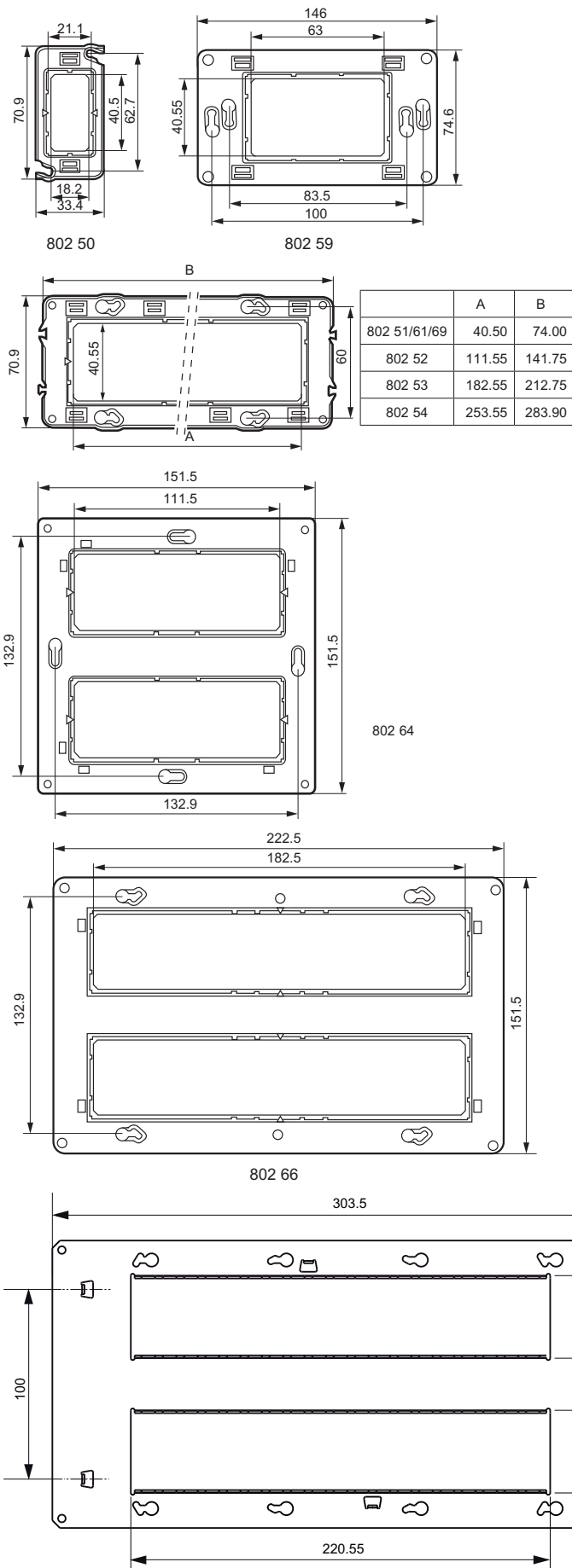
3. MOSAIC™ PREPARATION

| | | | |
|-----------|---|---|--|
| Use with: | 4 modules Remove the spacer 791 04 Centre the modules Use plates 788 14 - 790 14 | 2 x 2 modules Use plates 788 04 - 790 04 788 22 - 790 22 | 5 modules Remove the spacer Centre the modules Use plates 788 15 - 790 15 788 25 - 790 25 |
| Use with: | 6 modules Remove the spacer Clip the blanking plates 791 06 Centre the modules Use plates 788 16 - 790 16 | 3 x 2 modules Use plates 788 06 - 790 06 788 23 - 790 23 | 5 modules Remove the spacers Centre the modules Use plates 788 18 - 790 18 |
| Use with: | 10 modules Remove the spacers Clip the blanking plates 791 10 Centre the modules Use plates 788 10 - 790 10 | 4 x 2 modules Use plates 788 08 - 790 08 | |
| Use with: | 2 x 5 modules Remove the spacers Use plates 788 30 - 790 30 | 2 x 2 x 2 modules Use plates 788 38 - 790 38 | |
| Use with: | 2 x 6 modules Remove the spacers Centre the modules Use plates 788 36 - 790 36 | 2 x 3 x 2 modules Use plates 790 32 | 2 x 8 modules Remove the spacers Centre the modules Use plates 788 37 - 790 37 |
| Use with: | 2 x 10 modules Use plates 788 28 - 790 28 | | |

Mosaic™ and Celiane™ Universal support frames

Cat. No(s): 802 50/51/52/53/54/59/61/64/66/68/69

4. OVERALL DIMENSIONS



5. MOUNTING

The support frames are screwed or claw-fitted to flush-mounting boxes.

6. TECHNICAL CHARACTERISTICS

6.1 Material characteristics

Galfan steel + polyamide 6.6 support frames

6.2 Electrical characteristics

Self-extinguishing: 650°C / 30 s

6.3 Climatic characteristics

Storage temperature: - 10° C to + 70° C

Operating temperature: - 5° C to + 50° C

7. ACCESSORIES

For 2, 3 and 4-gang mechanisms, use the blanking plates for use with 4, 6 and modules.

| | Blanking plates |
|------------------|-----------------|
| 4-module plates | 791 04 |
| 6-module plates | 791 06 |
| 10-module plates | 791 10 |

