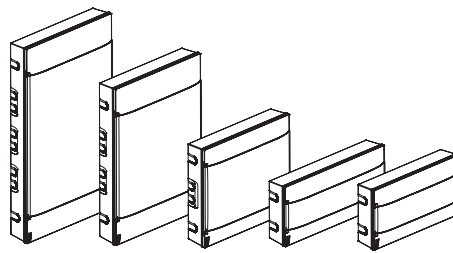
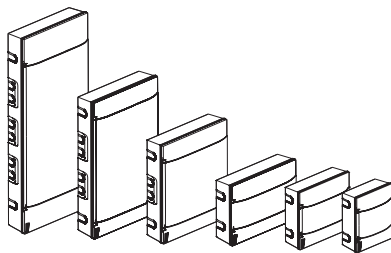


Practibox S surface-mounting cabinets with unprotected terminal blocks on a support

Cat. No(s): 1 341 24/28/34/38 - 1 342 04/08/14/18
 1 343 48/58 - 1 346 04/08/14/18 - 1 351 21/22/23/24/31/32/33/34
 1 352 01/02/03/04/11/12/13/14/61/62/63/64/71/72/73/74
 1 353 41/42/43/44/51/52/53/54 - 1 354 21/22/23/24/31/32/33/34
 1 356 01/02/03/04/11/12/13/14 - 1 371 25/26/27/28/29/35/36/37/38/39
 1 372 05/06/07/08/09/15/16/17/18/19/65/66/67/68/69/75/76/77/78/79
 1 373 46/47/48/49/56/57/58/59 - 1 374 25/26/27/28/29/35/36/37/38/39
 1 375 26/27/28/29/36/37/38/39 - 1 376 05/06/07/08/09/15/16/17/18/19



CONTENTS

Page

1. Description, use	1
2. Range	1
3. Dimensions.....	5
4. General characteristics	6
5. Compliance and approvals.....	11
6. Installation add-ons.....	11

1. DESCRIPTION, USE

Surface-mounting cabinets with 1 to 4 rows, 4 to 22 modules depending on the model, for residential and small commercial installations.

2 door finishes: white or transparent (smoked)

Halogen-free enclosures

Conforming to standard IEC 60 670-24 Edition 2.0 2011-03

Used to create assemblies conforming to IEC 61 439-3 Edition 1.0 2012-02

These cabinets are only designed for wall-mounting installation

Space under rails: 10 mm

Distance between rails: 150 mm

2. RANGE

Cat. No.	No. of rows	No. of modules per row	Door colour	Terminal block	Terminal block short-circuit current
1 341 24	1	4	white	Earth	6 kA
1 342 04			white	Earth + Neutral	
1 346 04			white	Earth + Neutral	
1 341 34			transparent	Earth	
1 342 14			transparent	Earth + Neutral	
1 346 14			transparent	Earth + Neutral	
1 341 28	1	8	white	Earth	6 kA
1 342 08			white	Earth + Neutral	
1 343 48			white	X Neutral	
1 346 08			white	Earth + Neutral	
1 341 38			transparent	Earth	
1 342 18			transparent	Earth + Neutral	
1 346 18			transparent	Earth + Neutral	
1 343 58			transparent	X Neutral	

**Practibox S surface-mounting cabinets
with unprotected terminal blocks on
a support**

Cat. No(s): 1 341 24/28/34/38 - 1 342 04/08/14/18
1 343 48/58 - 1 346 04/08/14/18 - 1 351 21/22/23/24/31/32/33/34
1 352 01/02/03/04/11/12/13/14/61/62/63/64/71/72/73/74
1 353 41/42/43/44/51/52/53/54 - 1 354 21/22/23/24/31/32/33/34
1 356 01/02/03/04/11/12/13/14 - 1 371 25/26/27/28/29/35/36/37/38/39
1 372 05/06/07/08/09/15/16/17/18/19/65/66/67/68/69/75/76/77/78/79
1 373 46/47/48/49/56/57/58/59 - 1 374 25/26/27/28/29/35/36/37/38/39
1 375 26/27/28/29/36/37/38/39 - 1 376 05/06/07/08/09/15/16/17/18/19

2. RANGES (continued)

Cat. No.	No. of rows	No. of modules per row	Door colour	Terminal block	Terminal block short-circuit current		
1 351 21	1	12	white	Earth	6 kA		
1 352 01			white	Earth + Neutral			
1 352 61			white	Earth + X Neutral	10 kA		
1 353 41			white	X Neutral	6 kA		
1 354 21			white	Earth + X Neutral			
1 356 01			white	Earth + Neutral	10 kA		
1 352 11			transparent	Earth + Neutral			
1 352 71			transparent	Earth + X Neutral	6 kA		
1 353 51			transparent	X Neutral			
1 354 31			transparent	Earth + X Neutral	6 kA		
1 356 11			transparent	Earth + Neutral			
1 351 22			2	12	white	Earth	6 kA
1 352 02					white	Earth + Neutral	
1 352 62					white	Earth + X Neutral	10 kA
1 353 42	white	X Neutral			6 kA		
1 354 22	white	Earth + X Neutral					
1 356 02	white	Earth + Neutral			10 kA		
1 351 32	transparent	Earth					
1 352 12	transparent	Earth + Neutral			6 kA		
1 352 72	transparent	Earth + X Neutral					
1 353 52	transparent	X Neutral			6 kA		
1 354 32	transparent	Earth + X Neutral					
1 356 12	transparent	Earth + Neutral					
1 351 23	3	12			white	Earth	6 kA
1 352 03					white	Earth + Neutral	
1 352 63			white	Earth + X Neutral	10 kA		
1 353 43			white	X Neutral	6 kA		
1 354 23			white	Earth + X Neutral			
1 356 03			white	Earth + Neutral	10 kA		
1 351 33			transparent	Earth			
1 352 13			transparent	Earth + Neutral	6 kA		
1 352 73			transparent	Earth + X Neutral			
1 353 53			transparent	X Neutral	6 kA		
1 354 33			transparent	Earth + X Neutral			
1 356 13			transparent	Earth + Neutral			

**Practibox S surface-mounting cabinets
with unprotected terminal blocks on
a support**

Cat. No(s): 1 341 24/28/34/38 - 1 342 04/08/14/18
 1 343 48/58 - 1 346 04/08/14/18 - 1 351 21/22/23/24/31/32/33/34
 1 352 01/02/03/04/11/12/13/14/61/62/63/64/71/72/73/74
 1 353 41/42/43/44/51/52/53/54 - 1 354 21/22/23/24/31/32/33/34
 1 356 01/02/03/04/11/12/13/14 - 1 371 25/26/27/28/29/35/36/37/38/39
 1 372 05/06/07/08/09/15/16/17/18/19/65/66/67/68/69/75/76/77/78/79
 1 373 46/47/48/49/56/57/58/59 - 1 374 25/26/27/28/29/35/36/37/38/39
 1 375 26/27/28/29/36/37/38/39 - 1 376 05/06/07/08/09/15/16/17/18/19

2. RANGES (continued)

Cat. No.	No. of rows	No. of modules per row	Door colour	Terminal block	Terminal block short-circuit current			
1 351 24	4	12	white	Earth	6 kA			
1 352 04			white	Earth + Neutral				
1 352 64			white	Earth + X Neutral	10 kA			
1 353 44			white	X Neutral	6 kA			
1 354 24			white	Earth + X Neutral				
1 356 04			white	Earth + Neutral				
1 351 34			transparent	Earth				
1 352 14			transparent	Earth + Neutral	10 kA			
1 352 74			transparent	Earth + X Neutral				
1 353 54			transparent	X Neutral	6 kA			
1 354 34			transparent	Earth + X Neutral				
1 356 14			transparent	Earth + Neutral				
1 371 26			1	18	white	Earth	10 kA	
1 372 06					white	Earth + Neutral		
1 372 66	white	Earth + X Neutral						
1 373 46	white	X Neutral						
1 374 26	white	Earth + X Neutral						
1 375 26	white	Earth						
1 376 06	white	Earth + Neutral						
1 371 36	transparent	Earth						
1 372 16	transparent	Earth + Neutral						
1 372 76	transparent	Earth + X Neutral						
1 373 56	transparent	X Neutral						
1 374 36	transparent	Earth + X Neutral						
1 375 36	transparent	Earth						
1 376 16	transparent	Earth + Neutral						
1 371 27	2	18			white	Earth		10 kA
1 372 07					white	Earth + Neutral		
1 372 67			white	Earth + X Neutral				
1 374 27			white	Earth + X Neutral				
1 375 27			white	Earth				
1 376 07			white	Earth + Neutral				
1 373 47			white	X Neutral				
1 371 37			transparent	Earth				
1 372 17			transparent	Earth + Neutral				
1 372 77			transparent	Earth + X Neutral				
1 374 37			transparent	Earth + X Neutral				
1 375 37			transparent	Earth				
1 376 17			transparent	Earth + Neutral				
1 373 57			transparent	X Neutral				

**Practibox S surface-mounting cabinets
with unprotected terminal blocks on
a support**

Cat. No(s): 1 341 24/28/34/38 - 1 342 04/08/14/18
 1 343 48/58 - 1 346 04/08/14/18 - 1 351 21/22/23/24/31/32/33/34
 1 352 01/02/03/04/11/12/13/14/61/62/63/64/71/72/73/74
 1 353 41/42/43/44/51/52/53/54 - 1 354 21/22/23/24/31/32/33/34
 1 356 01/02/03/04/11/12/13/14 - 1 371 25/26/27/28/29/35/36/37/38/39
 1 372 05/06/07/08/09/15/16/17/18/19/65/66/67/68/69/75/76/77/78/79
 1 373 46/47/48/49/56/57/58/59 - 1 374 25/26/27/28/29/35/36/37/38/39
 1 375 26/27/28/29/36/37/38/39 - 1 376 05/06/07/08/09/15/16/17/18/19

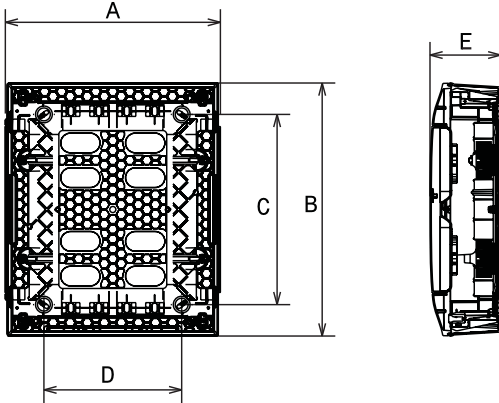
2. RANGES (continued)

Cat. Nos.	No. of rows	No. of modules per row	Door colour	Terminal block	Terminal block short-circuit current
1 371 28	3	18	white	Earth	10 kA
1 372 08			white	Earth + Neutral	
1 372 68			white	Earth + X Neutral	
1 373 48			white	X Neutral	
1 374 28			white	Earth + X Neutral	
1 375 28			white	Earth	
1 376 08			white	Earth + Neutral	
1 371 38			transparent	Earth	
1 372 18			transparent	Earth + Neutral	
1 372 78			transparent	Earth + X Neutral	
1 373 58			transparent	X Neutral	
1 374 38			transparent	Earth + X Neutral	
1 375 38			transparent	Earth	
1 376 18			transparent	Earth + Neutral	
1 371 29			4	18	
1 372 09	white	Earth + Neutral			
1 372 69	white	Earth + X Neutral			
1 373 49	white	X Neutral			
1 374 29	white	Earth + X Neutral			
1 375 29	white	Earth			
1 376 09	white	Earth + Neutral			
1 371 39	transparent	Earth			
1 372 19	transparent	Earth + Neutral			
1 372 79	transparent	Earth + X Neutral			
1 373 59	transparent	X Neutral			
1 374 39	transparent	Earth + X Neutral			
1 375 39	transparent	Earth			
1 376 19	transparent	Earth + Neutral			
1 371 25	1	22			white
1 372 05			white	Earth + Neutral	
1 372 65			white	Earth + X Neutral	
1 374 25			white	Earth + X Neutral	
1 376 05			white	Earth + Neutral	
1 371 35			transparent	Earth	
1 372 15			transparent	Earth + Neutral	
1 372 75			transparent	Earth + X Neutral	
1 374 35			transparent	Earth + X Neutral	
1 376 15			transparent	Earth + Neutral	

Practibox S surface-mounting cabinets with unprotected terminal blocks on a support

Cat. No(s): 1 341 24/28/34/38 - 1 342 04/08/14/18
 1 343 48/58 - 1 346 04/08/14/18 - 1 351 21/22/23/24/31/32/33/34
 1 352 01/02/03/04/11/12/13/14/61/62/63/64/71/72/73/74
 1 353 41/42/43/44/51/52/53/54 - 1 354 21/22/23/24/31/32/33/34
 1 356 01/02/03/04/11/12/13/14 - 1 371 25/26/27/28/29/35/36/37/38/39
 1 372 05/06/07/08/09/15/16/17/18/19/65/66/67/68/69/75/76/77/78/79
 1 373 46/47/48/49/56/57/58/59 - 1 374 25/26/27/28/29/35/36/37/38/39
 1 375 26/27/28/29/36/37/38/39 - 1 376 05/06/07/08/09/15/16/17/18/19

3. DIMENSIONS



Cat. Nos.	No. of rows	No. of modules per row	A (mm)	B (mm)	C (mm)	D (mm)	E (mm)
1 341 24/34 - 1 342 04/14 - 1 346 04/14	1	4	184	216	120	72	100
1 341 28/38 - 1 342 08/18 - 1 343 48/58 - 1 346 08/18	1	8	256	226	120	150	100
1 351 21/31 - 1 352 01/11/61/71 - 1 353 41/51 - 1 354 21/31 1 356 01/11	1	12	328	236	140	210	107
1 351 22/32 - 1 352 02/12/62/72 1 353 42/52 - 1 354 22/32 - 1 356 02/12	2	12	328	386	290	210	108
1 351 23/33 - 1 352 03/13/63/73 1 353 43/53 - 1 354 23/33 - 1 356 03/13	3	12	328	536	440	210	108
1 351 24/34 - 1 352 04/14/64/74 1 353 44/54 - 1 354 24/34 - 1 356 04/14	4	12	328	766	600	210	108
1 371 26/36 - 1 372 06/16/66/76 1 373 46/56 - 1 374 26/36 - 1 375 26/36 - 1 376 06/16	1	18	436	236	140	320	107
1 371 27/37 - 1 372 07/17/67/77 - 1 373 47/57 1 374 27/37 - 1 375 27/37 - 1 376 07/17	2	18	436	386	290	320	108
1 371 28/38 - 1 372 08/18/68/78 1 373 48/58 - 1 374 28/38 - 1 375 28/38 - 1 376 08/18	3	18	436	616	470	320	108
1 371 29/39 - 1 372 09/19/69/79 1 373 49/59 - 1 374 29/39 - 1 375 29/39 - 1 376 09/19	4	18	436	766	620	320	108
1 371 25/35 - 1 372 05/15/65/75 1 374 25/35 - 1 376 05/15	1	22	508	236	140	390	107

Practibox S surface-mounting cabinets with unprotected terminal blocks on a support

Cat. No(s): 1 341 24/28/34/38 - 1 342 04/08/14/18
 1 343 48/58 - 1 346 04/08/14/18 - 1 351 21/22/23/24/31/32/33/34
 1 352 01/02/03/04/11/12/13/14/61/62/63/64/71/72/73/74
 1 353 41/42/43/44/51/52/53/54 - 1 354 21/22/23/24/31/32/33/34
 1 356 01/02/03/04/11/12/13/14 - 1 371 25/26/27/28/29/35/36/37/38/39
 1 372 05/06/07/08/09/15/16/17/18/19/65/66/67/68/69/75/76/77/78/79
 1 373 46/47/48/49/56/57/58/59 - 1 374 25/26/27/28/29/35/36/37/38/39
 1 375 26/27/28/29/36/37/38/39 - 1 376 05/06/07/08/09/15/16/17/18/19

4. GENERAL CHARACTERISTICS

■ 4.1 Technical characteristics

- . Cover colour: white RAL 9003
- . Door colour: white RAL 9003 or transparent (smoked)
- . Protection index: IP40 - IK07 with door conforming to IEC 60 670-24 Edition 2.0 2011-03
- . Self-extinguishing in accordance with IEC 60695-2-11 Edition 2.0 2014-02: 650°C
- . Class II double insulation
- . Rated operating voltage: 400 VAC - 50/60 Hz
- . Rated insulation voltage: 400 VAC - 50/60 Hz
- . Rated impulse withstand voltage: Uimp = 6 kV
- . Short-circuit current: Icc max 10 kA
- . Storage and installation temperature: -20°C to +70°C
- . Usage temperature: -10°C to +40°C
- . Permissible loads: 40 N per row
- . Operating torque of cover screws: 1.2 Nm
- . Enclosures classified GP and PD
- . Maximum permissible current and dissipated power:

Cat. Nos.	No. of rows	Modules per row	Max. permissible current (A)	Dissipated power (Pde)
1 341 24/34 - 1 342 04/14 - 1 346 04/14	1	4	40 A	12 W
1 341 28/38 - 1 342 08/18 - 1 343 48/58 - 1 346 08/18	1	8	63 A	14 W
1 351 21/31 - 1 352 01/11/61/71 - 1 353 41/51 1 354 21/31 - 1 356 01/11	1	12	63 A	19 W
1 351 22/32 - 1 352 02/12/1962/72 - 1 353 42/52 1 354 22/32 - 1 356 02/12	2	12	90 A	28 W
1 351 23/33 - 1 352 03/13/63/73 - 1 353 43/53 1 354 23/33 - 1 356 03/13	3	12	90 A	38 W
1 351 24/34 - 1 352 04/14/64/74 - 1 353 44/54 1 354 24/34 - 1 356 04/14	4	12	90 A	50 W
1 371 26/36 - 1 372 06/16/66/76 - 1 373 46/56 1 374 26/36 - 1 375 26/36 - 1 376 06/16	1	18	63 A	25 W
1 371 27/37 - 1 372 07/17/67/77 - 1 373 47/57 1 374 27/37 - 1 375 27/37 - 1 376 07/17	2	18	90 A	35 W
1 371 28/38 - 1 372 08/18/68/78 - 1 373 48/58 1 374 28/38 - 1 375 28/38 - 1 376 08/18	3	18	90 A	49 W
1 371 29/39 - 1 372 09/19/69/79 - 1 373 49/59 1 374 29/39 - 1 375 029/39 - 1 376 09/19	4	18	90 A	58 W
1 371 35 - 1 372 05/15/65/75 - 1 374 25/35 1 376 05/15	1	22	90 A	30 W

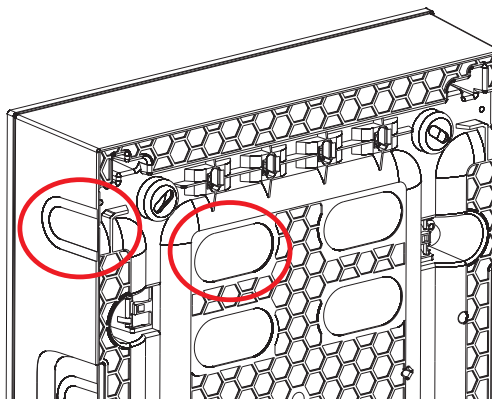
Practibox S surface-mounting cabinets with unprotected terminal blocks on a support

Cat. No(s): 1 341 24/28/34/38 - 1 342 04/08/14/18
 1 343 48/58 - 1 346 04/08/14/18 - 1 351 21/22/23/24/31/32/33/34
 1 352 01/02/03/04/11/12/13/14/61/62/63/64/71/72/73/74
 1 353 41/42/43/44/51/52/53/54 - 1 354 21/22/23/24/31/32/33/34
 1 356 01/02/03/04/11/12/13/14 - 1 371 25/26/27/28/29/35/36/37/38/39
 1 372 05/06/07/08/09/15/16/17/18/19/65/66/67/68/69/75/76/77/78/79
 1 373 46/47/48/49/56/57/58/59 - 1 374 25/26/27/28/29/35/36/37/38/39
 1 375 26/27/28/29/36/37/38/39 - 1 376 05/06/07/08/09/15/16/17/18/19

4. GENERAL CHARACTERISTICS (continued)

■ 4.2 Tube entries

Cat. Nos.	No. of rows	No. of modules per row	Ø30 mm tube at the back of the box	Ø30 mm tube on the right of the box	Ø30 mm tube on the left of the box	46x30 mm oblong hole at the back of the box
1 341 24/34 - 1 342 04/14 - 1 346 04/14	1	4	2	2	2	-
1 341 28/38 - 1 342 08/18 - 1 343 48/58 - 1 346 08/18	1	8	-	2	2	2
1 351 21/31 - 1 352 01/11/61/71 - 1 353 41/51 1 354 21/31 - 1 356 01/11	1	12	-	2	2	4
1 351 22/32 - 1 352 02/12/1962/72 - 1 353 42/52 1 354 22/32 - 1 356 02/12	2	12	-	4	4	8
1 351 23/33 - 1 352 03/13/63/73 - 1 353 43/53 1 354 23/33 - 1 356 03/13	3	12	-	6	6	12
1 351 24/34 - 1 352 04/14/64/74 - 1 353 44/54 1 354 24/34 - 1 356 04/14	4	12	-	8	8	16
1 371 26/36 - 1 372 06/16/66/76 - 1 373 46/56 1 374 26/36 - 1 375 26/36 - 1 376 06/16	1	18	-	2	2	6
1 371 27/37 - 1 372 07/17/67/77 - 1 373 47/57 1 374 27/37 - 1 375 27/37 - 1 376 07/17	2	18	-	4	4	12
1 371 28/38 - 1 372 08/18/68/78 - 1 373 48/58 1 374 28/38 - 1 375 28/38 - 1 376 08/18	3	18	-	6	6	18
1 371 29/39 - 1 372 09/19/69/79 - 1 373 49/59 1 374 29/39 - 1 375 029/39 - 1 376 09/19	4	18	-	8	8	24
1 371 25/35 - 1 372 05/15/65/75 - 1 374 25/35 1 376 05/15	1	22	-	2	2	8

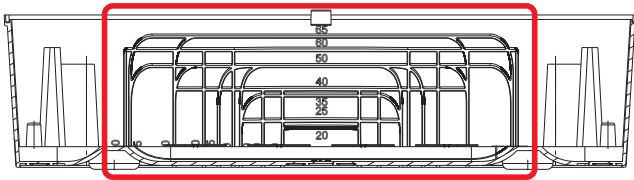


Practibox S surface-mounting cabinets with unprotected terminal blocks on a support

Cat. No(s): 1 341 24/28/34/38 - 1 342 04/08/14/18
 1 343 48/58 - 1 346 04/08/14/18 - 1 351 21/22/23/24/31/32/33/34
 1 352 01/02/03/04/11/12/13/14/61/62/63/64/71/72/73/74
 1 353 41/42/43/44/51/52/53/54 - 1 354 21/22/23/24/31/32/33/34
 1 356 01/02/03/04/11/12/13/14 - 1 371 25/26/27/28/29/35/36/37/38/39
 1 372 05/06/07/08/09/15/16/17/18/19/65/66/67/68/69/75/76/77/78/79
 1 373 46/47/48/49/56/57/58/59 - 1 374 25/26/27/28/29/35/36/37/38/39
 1 375 26/27/28/29/36/37/38/39 - 1 376 05/06/07/08/09/15/16/17/18/19

4. GENERAL CHARACTERISTICS (continued)

4.3 Duct entries



Cat. Nos.	No. of rows	No. of modules per row	105x35 mm or 105x50 mm duct on right of cabinet	105x35 mm or 105x50 mm duct on left of cabinet	25x20 mm to 90x60 mm duct at top of cabinet	40x20 mm to 200x65 mm duct at top of cabinet
1 341 24/34 - 1 342 04/14 - 1 346 04/14	1	4	-	-	1	-
1 341 28/38 - 1 342 08/18 - 1 343 48/58 - 1 346 08/18	1	8	-	-	1	-
1 351 21/31 - 1 352 01/11/1961/71 1 353 41/51 - 1 354 21/31 - 1 356 01/11	1	12	-	-	-	1
1 351 22/32 - 1 352 02/12/62/72 1 353 42/52 - 1 354 22/32 - 1 356 02/12	2	12	1	1	-	1
1 351 23/33 - 1 352 03/13/63/73 1 353 43/53 - 1 354 23/33 - 1 356 03/13	3	12	2	2	-	1
1 351 24/34 - 1 352 04/14/64/74 1 353 44/54 - 1 354 24/34 - 1 356 04/14	4	12	3	3	-	1
1 371 26/36 - 1 372 06/16/66/76 1 373 46/56 - 1 374 26/36 1 375 26/36 - 1 376 06/16	1	18	-	-	-	1
1 371 27/37 - 1 372 07/17/67/77 1 373 47/57 - 1 374 27/37 1 375 27/37 - 1 376 07/17	2	18	1	1	-	1
1 371 28/38 - 1 372 08/18/68/78 1 373 48/58 - 1 374 28/38 1 375 28/38 - 1 376 08/18	3	18	2	2	-	1
1 371 29/39 - 1 372 09/19/69/79 1 373 49/59 - 1 374 29/39 1 375 029/39 - 1 376 09/19	4	18	3	3	-	1
1 371 25/35 - 1 372 05/15/65/75 1 374 25/35 - 1 376 05/15	1	22	-	-	-	1

4.4 Materials

- . Cover, base, white door, blanking plate: polystyrene (PS)
- . Transparent door: Methacrylate Acrylonitrile Butadiene Styrene (MABS)
- . Rails: galvanised steel
- . Screws: steel
- . Terminal block support: polycarbonate (PC)
- . Injection-moulded caps: Styrene Butadiene Styrene (SBS)
- . Terminal block: brass

Practibox S surface-mounting cabinets with unprotected terminal blocks on a support

Cat. No(s): 1 341 24/28/34/38 - 1 342 04/08/14/18
1 343 48/58 - 1 346 04/08/14/18 - 1 351 21/22/23/24/31/32/33/34
1 352 01/02/03/04/11/12/13/14/61/62/63/64/71/72/73/74
1 353 41/42/43/44/51/52/53/54 - 1 354 21/22/23/24/31/32/33/34
1 356 01/02/03/04/11/12/13/14 - 1 371 25/26/27/28/29/35/36/37/38/39
1 372 05/06/07/08/09/15/16/17/18/19/65/66/67/68/69/75/76/77/78/79
1 373 46/47/48/49/56/57/58/59 - 1 374 25/26/27/28/29/35/36/37/38/39
1 375 26/27/28/29/36/37/38/39 - 1 376 05/06/07/08/09/15/16/17/18/19

4. GENERAL CHARACTERISTICS (continued)

■ 4.5 Terminal block capacity

Cabinets with 1x4, 1x8, 1x12, 1x18 modules

Cat. Nos.	No. of rows	Modules per row	Earth terminal block, screw terminals			Neutral terminal block, screw terminals		
			6-25 mm ²	1.5-16 mm ²	1.5-10 mm ²	6-25 mm ²	1.5-16 mm ²	1.5-10 mm ²
1 341 24/34	1	4	-	2	2	-	-	-
1 342 04/14 - 1 346 04/14			-	2	2	-	2	2
1 341 28/38	1	8	-	3	3	-	-	-
1 343 48/58			-	-	-	-	3	3
1 342 08/18 - 1 346 08/18			-	3	3	-	3	3
1 351 21/31	1	12	-	5	5	-	-	-
1 353 41/51			-	-	-	-	5	5
1 352 01/11/61/71 1 354 21/31 - 1 356 01/11			-	5	5	-	5	5
1 371 26/36 - 1 375 26/36	1	18	1	12	-	-	-	-
1 373 46/56			-	-	-	1	12	-
1 372 06/16/66/76 1 374 26/36 - 1 376 06/16			1	12	-	1	12	-
1 375 26/36			1	16	-	-	-	-

Cabinets with 12 multi-row modules

Cat. Nos.	No. of rows	Modules per row	Earth terminal block			Neutral terminal block		
			Screw terminals			Screw terminals		
			6-25 mm ²	1.5-16 mm ²	1.5-10 mm ²	6-25 mm ²	1.5-16 mm ²	1.5-10 mm ²
1 351 22/32	2	12	-	8	8	-	-	-
1 353 42/52			-	-	-	-	2x5	2x5
1 352 02/12 3 356 02/12			-	8	8	-	8	8
1 352 62/72			-	9	9	-	9	9
1 354 22/32			-	9	9	-	2x5	2x5
1 351 23/33	3	12	-	12	12	-	-	-
1 353 43/53			-	-	-	-	3x5	3x5
1 352 03/13 1 356 03/13			-	12	12	-	12	12
1 354 23/33			-	14	14	-	2x5	2x5
1 351 24/34	4	12	-	16	16	-	-	-
1 353 44/54			-	-	-	-	4x5	4x5
1 352 04/14/64/74 1 356 04/14			-	16	16	-	16	16
1 354 24/34			-	16	16	-	2x5	2x5

Practibox S surface-mounting cabinets with unprotected terminal blocks on a support

Cat. No(s): 1 341 24/28/34/38 - 1 342 04/08/14/18
1 343 48/58 - 1 346 04/08/14/18 - 1 351 21/22/23/24/31/32/33/34
1 352 01/02/03/04/11/12/13/14/61/62/63/64/71/72/73/74
1 353 41/42/43/44/51/52/53/54 - 1 354 21/22/23/24/31/32/33/34
1 356 01/02/03/04/11/12/13/14 - 1 371 25/26/27/28/29/35/36/37/38/39
1 372 05/06/07/08/09/15/16/17/18/19/65/66/67/68/69/75/76/77/78/79
1 373 46/47/48/49/56/57/58/59 - 1 374 25/26/27/28/29/35/36/37/38/39
1 375 26/27/28/29/36/37/38/39 - 1 376 05/06/07/08/09/15/16/17/18/19

4. GENERAL CHARACTERISTICS (continued)

Cabinets with 18 multi-row modules

Cat. Nos.	No. of rows	Modules per row	Earth terminal block			Neutral terminal block		
			Screw terminals			Screw terminals		
			6-25 mm ²	1.5-16 mm ²	1.5-10 mm ²	6-25 mm ²	1.5-16 mm ²	1.5-10 mm ²
1 373 47/57	2	18	-	-	-	2x1	2x12	-
1 371 27/37			1	21	-	-	-	-
1 375 27/37			1	26	-	-	-	-
1 372 07/17 1 376 07/17			1	21	-	1	21	-
1 374 27/37			1	26	-	2x1	2x12	-
1 372 67/77			1	26	-	1	26	-
1 371 28/38 1 375 28/38	3	18	2	33	-	-	-	-
1 372 08/18/68/78 1 376 08/18			2	33	-	2	33	-
1 374 28/38			2	33	-	2x1	2x12	-
1 373 48/58			-	-	-	3x1	3x12	-
1 371 29/39 1 375 29/39	4	18	2	33	-	-	-	-
1 373 49/59			-	-	-	4x1	4x12	-
1 372 09/19/69/79 1 376 09/19			2	33	-	2	33	-
1 374 29/39			2	33	-	2x1	2x12	-

22-module cabinets

Cat. Nos.	No. of rows	Modules per row	Earth terminal block, screw terminals			Neutral terminal block, screw terminals		
			6-25 mm ²	1.5-16 mm ²	1.5-10 mm ²	6-25 mm ²	1.5-16 mm ²	1.5-10 mm ²
1 371 25/35	1	22	1	16	-	-	-	-
1 372 05/15/65/75 1 374 25/35 - 1 376 05/15			1	16	-	1	16	-

Additional terminal blocks (see section 6.4, page 12)

4.6 Accessories supplied with the cabinet

Cat. Nos.	Number of rows	Modules per row	5-module blanking plate	Module identification labels
1 341 24/34 - 1 342 04/14 - 1 346 04/14	1	4	-	-
1 341 28/38 - 1 342 08/18 - 1 343 48/58 - 1 346 08/18	1	8	-	-
1 353 41/51 - 1 354 21/31	1	12	-	-
1 351 21/31 - 1 352 01/11/1961/71 1 356 01/11			-	1
1 353 42/52	2	12	-	-
1 354 22/32			1	-
1 351 22/32 - 1 352 02/12/62/72 1 356 02/12			1	2
1 353 43/53	3	12	-	-
1 354 23/33			1	-
1 351 23/33 - 1 352 03/13/63/73 1 356 03/13			1	3

Practibox S surface-mounting cabinets with unprotected terminal blocks on a support

Cat. No(s): 1 341 24/28/34/38 - 1 342 04/08/14/18
 1 343 48/58 - 1 346 04/08/14/18 - 1 351 21/22/23/24/31/32/33/34
 1 352 01/02/03/04/11/12/13/14/61/62/63/64/71/72/73/74
 1 353 41/42/43/44/51/52/53/54 - 1 354 21/22/23/24/31/32/33/34
 1 356 01/02/03/04/11/12/13/14 - 1 371 25/26/27/28/29/35/36/37/38/39
 1 372 05/06/07/08/09/15/16/17/18/19/65/66/67/68/69/75/76/77/78/79
 1 373 46/47/48/49/56/57/58/59 - 1 374 25/26/27/28/29/35/36/37/38/39
 1 375 26/27/28/29/36/37/38/39 - 1 376 05/06/07/08/09/15/16/17/18/19

4. GENERAL CHARACTERISTICS (continued)

Cat. Nos.	Number of rows	Modules per row	5-module blanking plate	Module identification labels
1 353 44/54	4	12	-	-
1 354 24/34			1	-
1 351 24/34 - 1 352 04/14/64/74 1 356 04/14			1	4
1 373 46/56	1	18	-	-
1 374 26/36			1	-
1 371 26/36 - 1 372 06/16/66/76 1 375 26/36 - 1 376 06/16			1	1
1 373 47/57	2	18	-	-
1 374 27/37			1	-
1 371 27/37 - 1 372 07/17/67/77 1 375 27/37 - 1 376 07/17			1	2
1 373 48/58	3	18	-	-
1 374 28/38			2	-
1 371 28/38 - 1 372 08/18/68/78 1 375 28/38 - 1 376 08/18			2	3
1 373 49/59	4	18	-	-
1 374 29/39			2	-
1 371 29/39 - 1 372 09/19/69/79 1 375 29/39 - 1 376 09/19			2	4
1 374 25/35	1	22	1	-
1 371 25/35 - 1 372 05/15/65/75 1 376 05/15			1	1

5. COMPLIANCE AND APPROVALS

IEC 60 670-24 Edition 2.0 2011-03

Used to create assemblies conforming to IEC 61 439-3 Edition 1.0 2012-02

IEC 60 695-2-11: 2014-09

RoHS

WEEE

REACH

PEP sheet

6. INSTALLATION ADD-ONS

■ 6.1 Key lock No. 850 Cat. No. 1 341 00



Practibox S surface-mounting cabinets with unprotected terminal blocks on a support

Cat. No(s): 1 341 24/28/34/38 - 1 342 04/08/14/18
 1 343 48/58 - 1 346 04/08/14/18 - 1 351 21/22/23/24/31/32/33/34
 1 352 01/02/03/04/11/12/13/14/61/62/63/64/71/72/73/74
 1 353 41/42/43/44/51/52/53/54 - 1 354 21/22/23/24/31/32/33/34
 1 356 01/02/03/04/11/12/13/14 - 1 371 25/26/27/28/29/35/36/37/38/39
 1 372 05/06/07/08/09/15/16/17/18/19/65/66/67/68/69/75/76/77/78/79
 1 373 46/47/48/49/56/57/58/59 - 1 374 25/26/27/28/29/35/36/37/38/39
 1 375 26/27/28/29/36/37/38/39 - 1 376 05/06/07/08/09/15/16/17/18/19

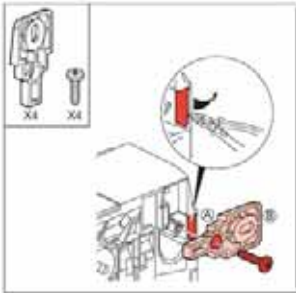
6. INSTALLATION ADD-ONS (continued)

6.2 External fixing lugs Cat. No. 4 018 56

External fixing lugs can be used on cabinets with 12-18 and 22 modules.

For external fixing if the fixing holes at the back of the cabinet have been rendered inaccessible by prewiring.

Tightening torque of external fixing lug screws: 1.2 Nm



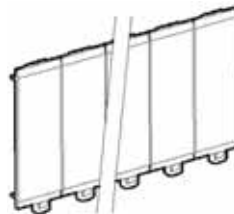
6.3 White RAL 9003 blanking plates

Can be separated for each module or half-module

5 modules: Cat. No. 0 016 60

13 modules: Cat. No. 0 016 62

18 modules: Cat. No. 0 016 64



6.4 Additional terminal blocks

Additional terminal blocks can be mounted at the top and bottom of cabinets in the designated areas.

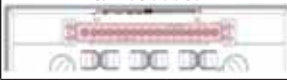
Cat. Nos.	Size	Terminal block capacity	Supplied equipped with terminal block on support			Accessories			
						Terminal blocks which can be added		Unprotected terminal blocks which can be added on existing support	
			No.	Type	No. of holes	Cat. Nos.	Max. no. to be added	Cat. Nos.	Max. no. to be added
1 341 24/34	4M	2	-	-	-	1 348 00/10	1	-	-
1 342 04/14 1 346 04/14		2	1	Earth	4	-	-	-	-
1 341 28/38	8M	2	-	-	-	1 348 01/11	1	-	-
1 343 48/58		2	1	Earth	6	-	-	1 348 06	1
1 342 08/18 1 346 08/18		2	1	Neutral	6	1 348 01/11	1	1 348 06	1
1 351 21/31	1x12M	2	-	-	-	-	-	-	-
1 353 41/51		2	1	Earth	6 + 6	1 348 03/13	1	1 348 06/07	3/1
1 352 01/11/61/71 1 354 21/31 1 356 01/11		2	1	Neutral	10	-	-	1 348 06/07	3/1
		2	-	Earth + Neutral	10 + 10	1 348 03/13	1	1 348 06	1

Practibox S surface-mounting cabinets with unprotected terminal blocks on a support

Cat. No(s): 1 341 24/28/34/38 - 1 342 04/08/14/18
 1 343 48/58 - 1 346 04/08/14/18 - 1 351 21/22/23/24/31/32/33/34
 1 352 01/02/03/04/11/12/13/14/61/62/63/64/71/72/73/74
 1 353 41/42/43/44/51/52/53/54 - 1 354 21/22/23/24/31/32/33/34
 1 356 01/02/03/04/11/12/13/14 - 1 371 25/26/27/28/29/35/36/37/38/39
 1 372 05/06/07/08/09/15/16/17/18/19/65/66/67/68/69/75/76/77/78/79
 1 373 46/47/48/49/56/57/58/59 - 1 374 25/26/27/28/29/35/36/37/38/39
 1 375 26/27/28/29/36/37/38/39 - 1 376 05/06/07/08/09/15/16/17/18/19

6. INSTALLATION ADD-ONS (continued)

6.4 Additional terminal blocks (continued)

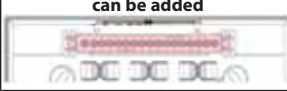
Cat. Nos.	Size	Terminal block capacity	Supplied equipped with terminal block on support			Accessories			
						Terminal blocks which can be added		Unprotected terminal blocks which can be added on existing support	
			No.	Type	No. of holes		Cat. Nos.	Max. no. to be added	Cat. Nos.
1 351 22/32	2x12M	2	-	-	-	1 348 03/13	1	-	-
1 353 42/52		2	1	Earth	16	-	-	1 348 06	2
1 352 02/12 1 356 02/12		2	-	Neutral	2x10	1 348 03/13	1	-	-
1 352 62/72		2	1	Earth + Neutral	2x16	-	-	1 348 06	1
1 354 22/32		2	-	Neutral	-	1 348 03/13	1	-	-
1 351 23/33	3x12M	2	1	Earth + Neutral	2x18	-	-	-	-
1 353 43/53		2	1	Neutral	2x10	-	-	1 348 06/07	3/1
1 352 03/13 1 356 03/13		2	1	Earth	18	-	-	1 348 06/07	3/1
1 354 23/33		2	1	Neutral	2x10	-	-	-	-
1 351 24/34	4x12M	4	-	-	-	1 348 03/13	1	-	-
1 353 44/54		4	1	Earth	24	-	-	-	-
1 352 04/14/64/74 1 356 04/14		4	1	Neutral	3x10	1 348 03/13	1	1 348 06	1
1 354 24/34		4	-	Neutral	-	-	-	-	-
1 371 26/36		4	1	Earth	32	-	-	1 348 06/07	3/1
1 372 06/16/66/76 1 374 26/36	4	1	Neutral	2x10	-	-	-	-	
1 373 46/56	1x18M	2	1	Neutral	2x10	1 348 03/13	1	-	-
1 375 26/36		2	-	Earth	-	1 348 03	1	-	-
1 372 06/16/66/76 1 374 26/36		2	1	Earth	32	-	-	1 348 06	1
1 373 46/56		2	-	Earth	-	-	-	-	-

Practibox S surface-mounting cabinets with unprotected terminal blocks on a support

Cat. No(s): 1 341 24/28/34/38 - 1 342 04/08/14/18
 1 343 48/58 - 1 346 04/08/14/18 - 1 351 21/22/23/24/31/32/33/34
 1 352 01/02/03/04/11/12/13/14/61/62/63/64/71/72/73/74
 1 353 41/42/43/44/51/52/53/54 - 1 354 21/22/23/24/31/32/33/34
 1 356 01/02/03/04/11/12/13/14 - 1 371 25/26/27/28/29/35/36/37/38/39
 1 372 05/06/07/08/09/15/16/17/18/19/65/66/67/68/69/75/76/77/78/79
 1 373 46/47/48/49/56/57/58/59 - 1 374 25/26/27/28/29/35/36/37/38/39
 1 375 26/27/28/29/36/37/38/39 - 1 376 05/06/07/08/09/15/16/17/18/19

6. INSTALLATION ADD-ONS (continued)

6.4 Additional terminal blocks (continued)

Cat. Nos.	Size	Terminal block capacity	Supplied equipped with terminal block on support			Accessories			
						Terminal blocks which can be added		Unprotected terminal blocks which can be added on existing support	
			No.	Type	No. of holes		Cat. Nos.	Max. no. to be added	Cat. Nos.
1 373 47/57	2x18M	2	1	Neutral	2x13	-	-		
1 371 27/37		2	-	-	-	1 348 05	1		
1 375 27/37		2	1	Earth	22	-	-		
1 372 07/17 1 376 07/17		2	-	-	-	1 348 05	1		
1 374 27/37		2	1	Earth	27	-	-		
1 372 67/77		2	1	Earth + Neutral	22 + 22	1 348 05	1		
1 371 28/38 1 375 28/38	3x18M	4	1	Neutral	2x13	1 348 05/15	1		
1 372 08/18/68/78 1 376 08/18		4	-	-	-	1 348 05	-		
1 374 28/38		4	1	Earth	35	1 348 05	-		
1 373 48/58		4	1	Earth	35	-	-		
1 371 29/39 1 375 29/39		4	1	Neutral	35	1 348 05/15	1		
1 372 09/19/69/79 1 376 09/19		4	-	-	-	1 348 05	1		
1 373 49/59	4x18M	4	1	Earth	35	1 348 05	1		
1 372 09/19/69/79 1 376 09/19		4	1	Neutral	2x13	-	-		
1 374 29/39		4	1	Neutral	2x13	1 348 05/15	1		
1 371 25/1 35		4	1	Earth	35	1 348 05	1		
1 371 25/1 35	1x22M	2	1	Neutral	2x13	-	-		
1 372 05/15/65/75 1 374 25/35 1 376 05/15		2	-	Earth	17	1 348 16	1		
			1	Earth + Neutral	17 + 17	-	-		
			-	-	-	1 348 16	1		