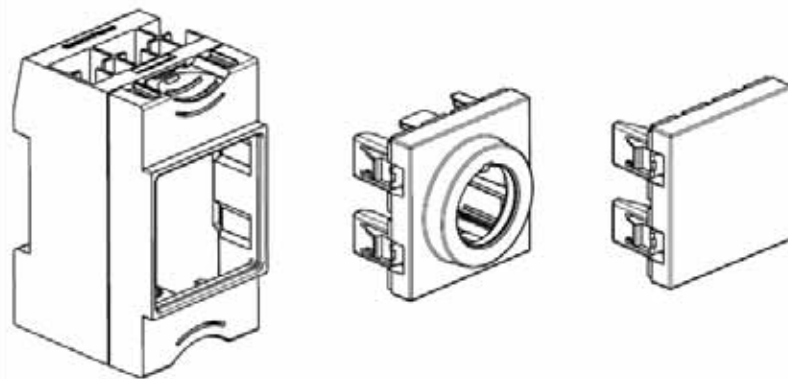


## DX<sup>3</sup> universal support and adaptors

Catalogue number(s): 4 129 50 - 4 129 51 - 4 129 52



### CONTENTS

### Page

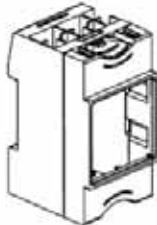
1. Description - use.....	1
2. Range .....	1
3. Overall dimensions .....	1
4. Positioning .....	1
5. Connection .....	3
6. General features .....	3
7. Maintenance .....	3
8. Compliance and approvals.....	3
9. Equipment .....	3

### 1. DESCRIPTION - USE

For integrating Mosaic™, Arteor™ and Osmoz™ mechanisms and various other products (potentiometer, etc.) on a modular rail.

### 2. RANGE

4 129 50: Universal support for Mosaic™ and Arteor™ mechanisms



4 129 51: Adaptor for Osmoz™

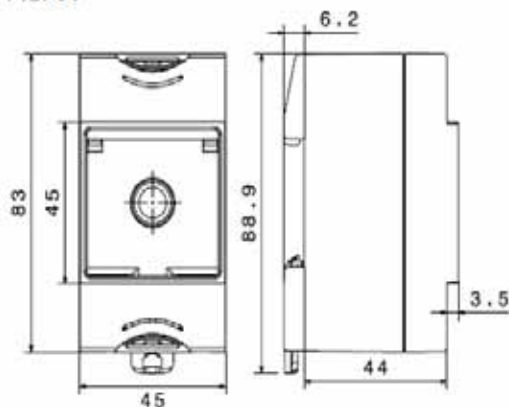


4 129 52: Solid adaptor (to be drilled) for various wiring accessories (potentiometer, etc.)

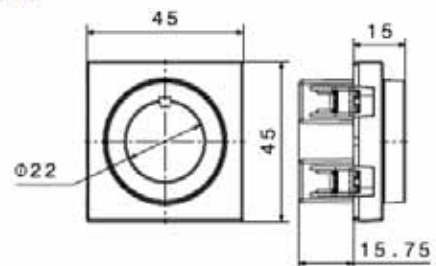


### 3. OVERALL DIMENSIONS

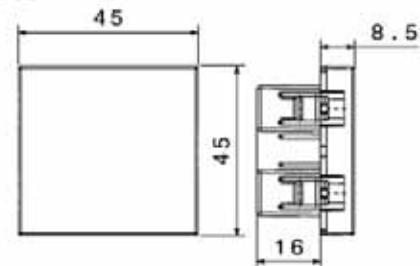
Cat. No. 4 129 50



Cat. No. 4 129 51



Cat. No. 4 129 52



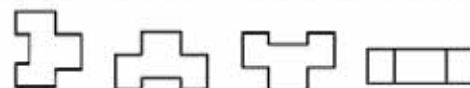
### 4. POSITIONING

#### Mounting

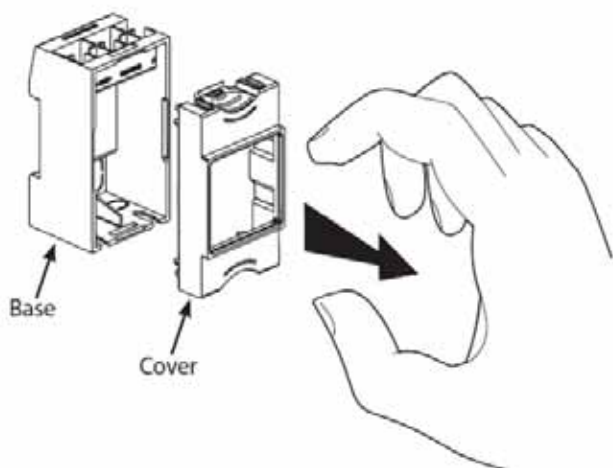
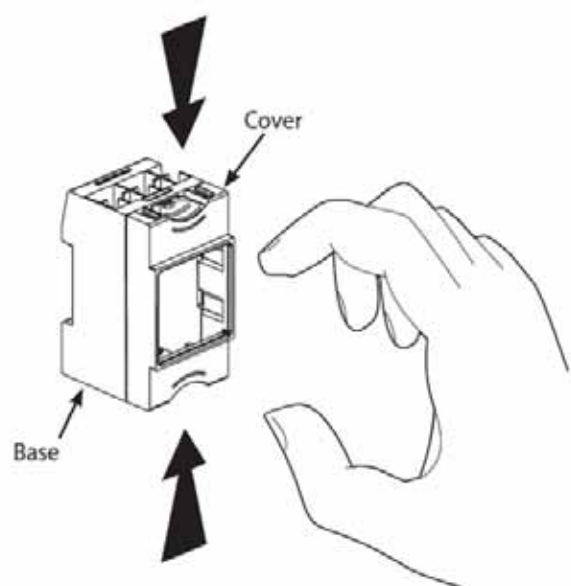
On EN 60715 or DIN 35 symmetrical rail

#### Operating position

Vertical    Horizontal    Upside down    On the side

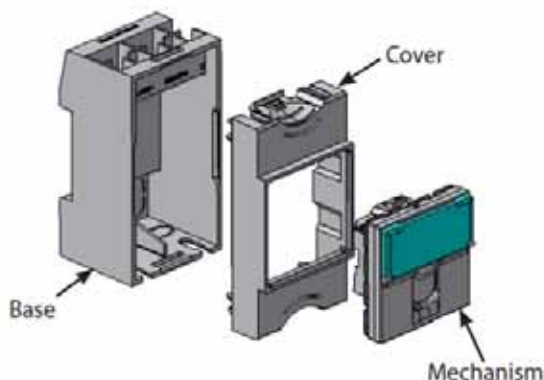


## Unclipping the cover from universal support Cat. No. 4 129 50



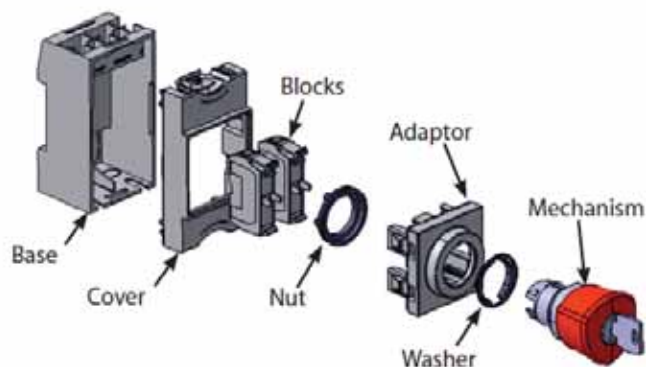
## Fitting recommendations for Mosaic™ and Arteur™ mechanisms on universal support Cat. No. 4 129 50

- If necessary, put the cable(s) through a knockout
- Put the cable(s) through the opening in the cover
- Wire the mechanism
- Clip the mechanism on the cover
- Clip the assembly on the base



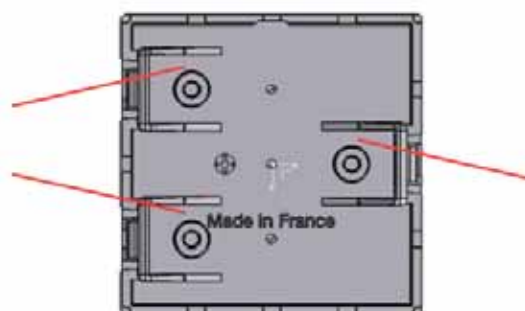
## Assembling recommendations for the Osmoz™ adaptor Cat. No. 4 129 51

- Place the washer on the mechanism
- Fit the assembly on the adaptor
- Screw the nut onto the mechanism
- Fit the blocks on the adaptor
- If necessary, insert the cable(s) through a knockout
- Insert the cable(s) through the opening in the cover
- Wire the block(s)
- Clip the mechanism + adaptor assembly onto the cover
- Clip the assembly onto the base

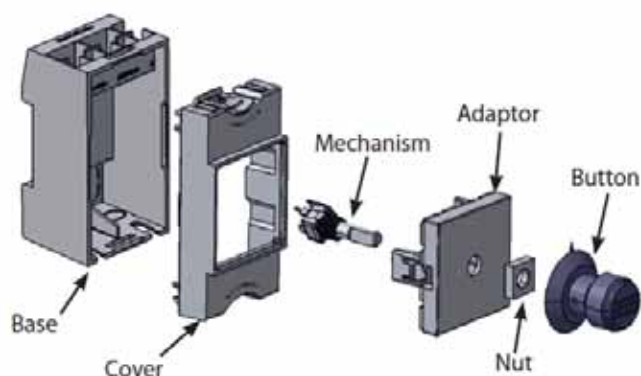


## Assembling recommendations for the solid adaptor Cat. No. 4 129 52

- Drill a hole of the required diameter in the adaptor (it is possible to remove the 3 screw recesses if they are in the way).



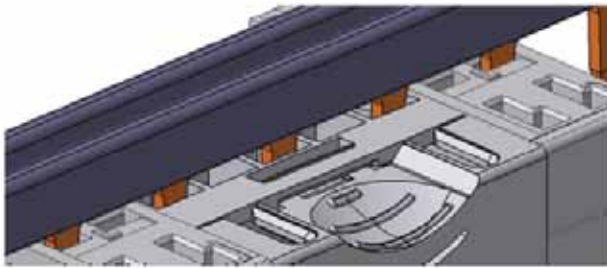
- Insert the mechanism
- Screw the nut on the mechanism
- Fit the button on the mechanism
- If necessary, insert the cable(s) through a knockout
- Insert the cable(s) through the opening in the cover
- Wire the mechanism
- Clip the mechanism + adaptor assembly on the cover
- Clip the assembly on the base



## 5. CONNECTION

### Inserting supply busbars Cat. No. 4 049 26

Holes are provided for inserting the prong-type busbar. It is not necessary to cut the prongs of the supply busbar to mix these functions with DX<sup>3</sup> circuit breakers or other modular products.



## 6. GENERAL FEATURES

### Materials

	4 129 50	4 129 51	4 129 52
<b>Material</b>	Polycarbonate + Acrylonitrile Butadiene Styrene	Polycarbonate	Acrylonitrile Butadiene Styrene
<b>Colour</b>	Grey RAL 735		
<b>Self-extinguishing</b>	750°C	750°C	650°C
<b>Impact resistance</b>	IK05	IK04	IK04
<b>Index of protection</b>	IP2X (assembled with Mosaic or Arteor mechanisms and Osmoz adaptors)		

### Ambient temperatures

	4 129 50	4 129 51	4 129 52
<b>Operation</b>	-25°C to +70°C		
<b>Storage</b>	-25°C to +70°C		

## 7. MAINTENANCE

Clean the surface with a cloth.  
Do not use: acetone, tar-removing cleaning agents or trichloroethylene.

## 8. COMPLIANCE AND APPROVALS

### Plastic materials

Zero-halogen plastic materials

### Respect for the environment - Compliance with European Union Directives

Compliance with Directive 22002/95/EC of 27/01/03 known as "RoHS" which provides for a restriction on the use of hazardous substances such as lead, mercury, cadmium, hexavalent chromium and polybrominated biphenyl (PBB) and polybrominated diphenyl ether (PBDE) brominated flame retardants from 1<sup>st</sup> July 2006

Compliance with Directive 91/338/EC of 18/06/91 and decree 94-647 of 27/07/04

### Packaging

Design and manufacture of packaging compliant with decree 98-638 of 20/07/98 and Directive 94/62/EC

## 9. EQUIPMENT

### DX<sup>3</sup> modular universal support Cat. No. 4 129 50 for Mosaic™ and Arteor™ programmes

A Mosaic™ or Arteor™ mechanism is compatible with universal support 4 129 50 if it has the following wiring:

- Up to 6 x 0.5 mm<sup>2</sup>
- Up to 6 x 1.5 mm<sup>2</sup>
- Up to 6 x 2.5 mm<sup>2</sup>
- AWG 22 to 25
- AWG 26

The following are some examples of compatible Mosaic™ mechanisms:

- 0 765 xx: RJ45 LCS<sup>2</sup>, 1 and 2 modules
- 0 775 xx: 230 V USB socket outlet, 1 and 2 modules
- 0 784 25: Programmable time switch
- 0 785 20: Illuminated sign with white LEDs
- 0 771 11: Straight 2P+E socket
- 0 767 20: Electronic room thermostat
- Etc.

The following are some examples of compatible Arteor™ mechanisms:

- 5 72x xx: RJ45 LCS<sup>2</sup>, 1 and 2 modules
- 5 72x xx: Roller blind control
- 0 721 xx: Swiss standard 2P+E socket, 1 and 2 modules
- 5 722 03: Electronic room thermostat
- Etc.

### Adaptor Cat. No. 4 129 51 for Osmoz™

Most Osmoz™ mechanisms are compatible with adaptor 4 129 51

The following are some examples of compatible mechanisms:

- 0 238 00/01/...: Non-illuminated spring return heads
- 0 238 41/42/...: Non-illuminated push-push heads
- 0 239 05/06/...: Non-illuminated selector switches
- 0 238 72/74/...: Non-illuminated stay-put mushroom head
- 0 241 20/21/...: One-piece pilot lights
- Etc.

Some Osmoz™ mechanisms with the following characteristics are not compatible with adaptor 4 129 51:

- Illuminated versions
- Twin touch heads
- "Super-flush" heads
- Location of the positioning slot in relation to the block support area:

Not compatible with 4 129 51



Compatible with 4 129 51

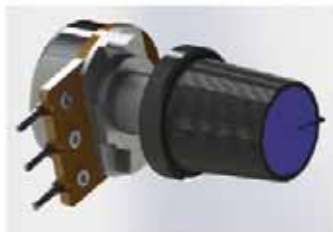


**Solid adaptor Cat. No. 4 129 52**

For integrating non-modular mechanisms or products on a DIN rail.

The following are some examples of compatible mechanisms:

- Rotary potentiometer, fixed using nuts



- SCRJ connector



- Etc.

A mechanism is not compatible with adaptor 4 129 52 if:

- Its drilling diameter is greater than 22.5 mm
- The mechanism impedes the fitting of the cover (or the faceplate) on the cabinet (or enclosure)

**Installation software**

XL PRO<sup>3</sup>