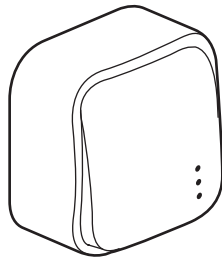
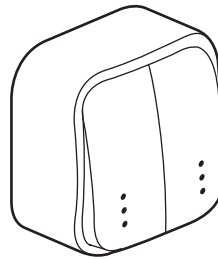


## Forix™ - IP 2X Switches

Cat. No(s): 7 824 00/02/04/30/32/34



7 824 00/04/30/34



7 824 02/32

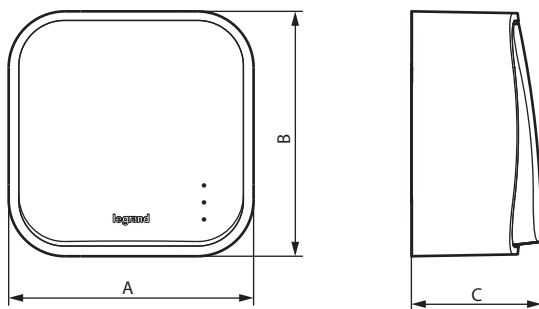
### 1. USE

General lighting control mechanisms become illuminated with lamp (Cat. No. 7 824 57).

### 2. RANGE

Finishes		Designation
White	Ivory	
7 824 00	7 824 30	One gang switch - 1-way
7 824 02	7 824 32	Two gang switch - 1-way
7 824 04	7 824 34	One gang switch - 2-way

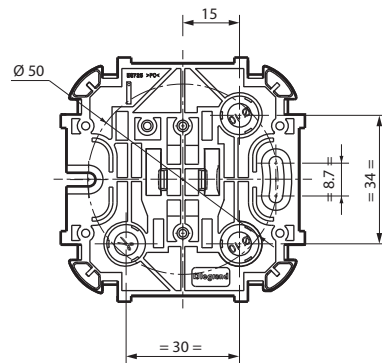
### 3. OVERALL DIMENSIONS



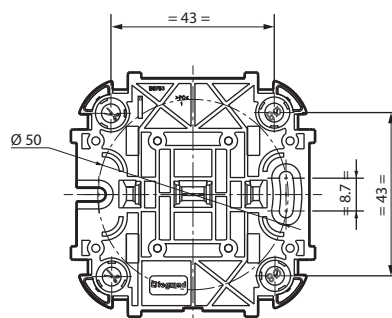
Cat. No.	A	B	C
7 824 00/30	65	65	34.5
7 824 02/32	65	65	34.5
7 824 04/34	65	65	34.5

### 3. OVERALL DIMENSIONS (continued)

#### ■ 3.1 One-gang base:

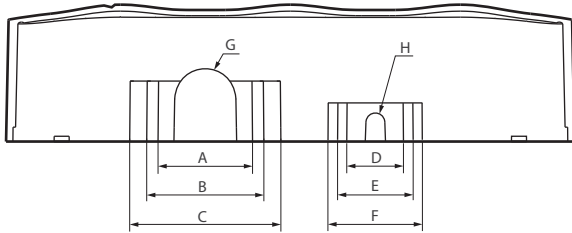


#### ■ 3.2 Two-gang base:



#### 4. CONNECTION

##### Information for pre-cut:



Cat. No.	Pre-cut sides (mm)			
	A	B	C	D
7 824 00/02/04 7 824 30/32/34	25 x 16	31 x 16	40 x 16	15 x 10
	-	-	-	2
	E	F	G	H
	20 x 10	25 x 10	Ø 16	Ø 5
	2	2	2	2

Stripping: 10 mm

Terminal type: with screws

Terminal capacity up to: 2 x 2.5 mm<sup>2</sup>

Recommended screwdriver size: pozidrive No 2

Recommended tightening torque: 0.5 Nm

#### 5. TECHNICAL CHARACTERISTICS

##### ■ 5.1 Mechanical characteristics

Protection against liquids: IP 21

Impact tests: IK 04

##### ■ 5.2 Material characteristics

Base: PC

Cover: PP

Rocker: ABS

Mechanism: PC

##### ■ 5.3 Electrical characteristics

Voltage: 250 VAC

Current: 10 AX

##### ■ 5.4 Climatic characteristics

Storage and use temperature: - 25° C to + 60° C

#### 6. CLEANING

Surface cleaning with a cloth.

Do not use: acetone, tar remover, trichloroethylene.

Resistance to the following agents: Hexane (EN 60669-1), Methylated spirits, Soapy water, Diluted ammonia, Diluted pure bleached 10%, Glass cleaning substance, Pre-impregnated wipes.

**Caution:** A preliminary test should be carried out if other specific cleaning products are to be used.

#### 7. ACCESSORIES

##### Lamp

Become illuminated with lamp Cat. No 7 824 57