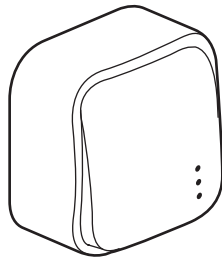
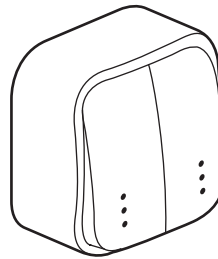


Forix™ - IP 2X Switches

Cat. No(s): 7 824 00/02/04/30/32/34



7 824 00/04/30/34



7 824 02/32

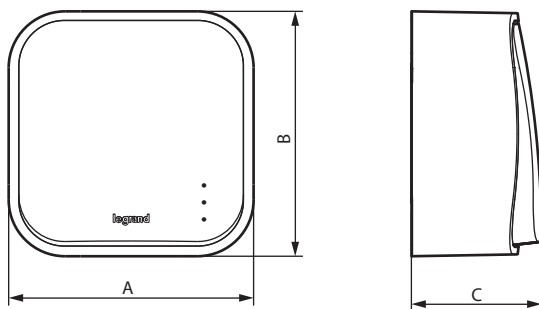
1. USE

General lighting control mechanisms become illuminated with lamp (Cat. No. 7 824 57).

2. RANGE

| Finishes | | Designation |
|----------|----------|-------------------------|
| White | Ivory | |
| 7 824 00 | 7 824 30 | One gang switch - 1-way |
| 7 824 02 | 7 824 32 | Two gang switch - 1-way |
| 7 824 04 | 7 824 34 | One gang switch - 2-way |

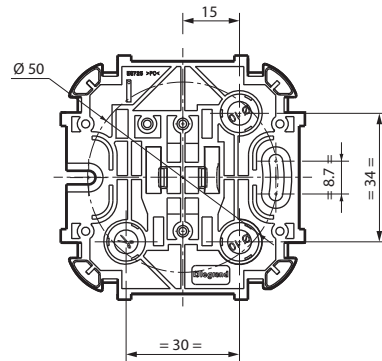
3. OVERALL DIMENSIONS



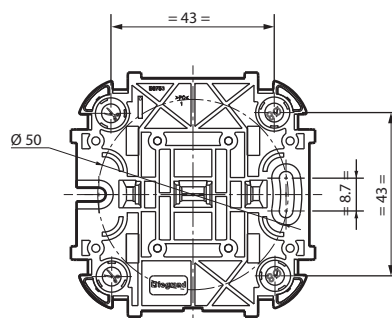
| Cat. No. | A | B | C |
|-------------|----|----|------|
| 7 824 00/30 | 65 | 65 | 34.5 |
| 7 824 02/32 | 65 | 65 | 34.5 |
| 7 824 04/34 | 65 | 65 | 34.5 |

3. OVERALL DIMENSIONS (continued)

■ 3.1 One-gang base:

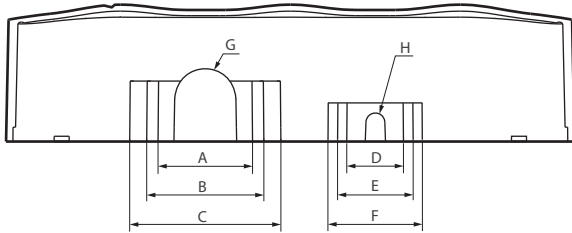


■ 3.2 Two-gang base:



4. CONNECTION

Information for pre-cut:



| Cat. No. | Pre-cut sides (mm) | | | |
|----------------------------------|--------------------|---------|---------|---------|
| | A | B | C | D |
| 7 824 00/02/04 7 824 30/32/34 | 25 x 16 | 31 x 16 | 40 x 16 | 15 x 10 |
| | - | - | - | 2 |
| | E | F | G | H |
| | 20 x 10 | 25 x 10 | Ø 16 | Ø 5 |
| | 2 | 2 | 2 | 2 |

Stripping: 10 mm

Terminal type: with screws

Terminal capacity up to: 2 x 2.5 mm²

Recommended screwdriver size: pozidrive No 2

Recommended tightening torque: 0.5 Nm

5. TECHNICAL CHARACTERISTICS

■ 5.1 Mechanical characteristics

Protection against liquids: IP 21

Impact tests: IK 04

■ 5.2 Material characteristics

Base: PC

Cover: PP

Rocker: ABS

Mechanism: PC

■ 5.3 Electrical characteristics

Voltage: 250 VAC

Current: 10 AX

■ 5.4 Climatic characteristics

Storage and use temperature: - 25° C to + 60° C

6. CLEANING

Surface cleaning with a cloth.

Do not use: acetone, tar remover, trichloroethylene.

Resistance to the following agents: Hexane (EN 60669-1), Methylated spirits, Soapy water, Diluted ammonia, Diluted pure bleached 10%, Glass cleaning substance, Pre-impregnated wipes.

Caution: A preliminary test should be carried out if other specific cleaning products are to be used.

7. ACCESSORIES

Lamp

Become illuminated with lamp Cat. No 7 824 57