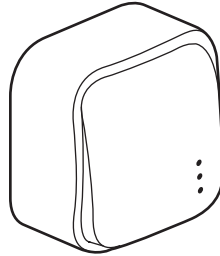


**Forix™ - IP 2X  
 Push-buttons**

Cat. No(s): 7 824 05/35



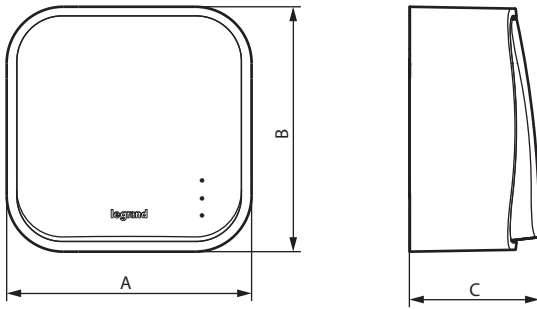
**1. USE**

General lighting control mechanisms become illuminated with lamp (Cat. No. 7 824 57).

**2. RANGE**

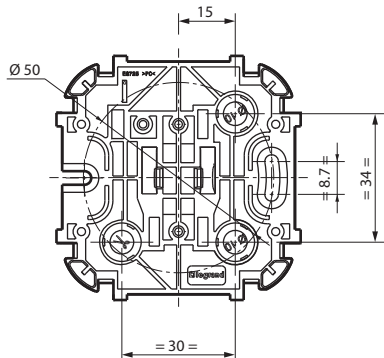
Finishes		Designation
White	Ivory	
7 824 05	7 824 35	One gang push-button

**3. OVERALL DIMENSIONS**



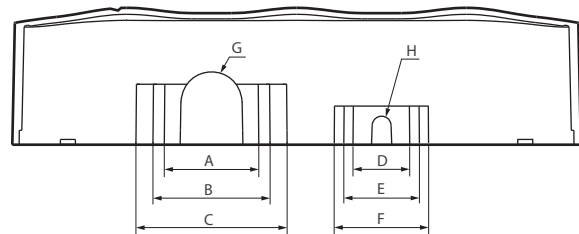
Cat. No.	A	B	C
7 824 05/35	65	65	34.5

**Base:**



**4. CONNECTION**

**Information for pre-cut:**



Cat. No.	Pre-cut sides (mm)			
	A	B	C	D
7 824 05/35	25 x 16	31 x 16	40 x 16	15 x 10
	-	-	-	2
	E	F	G	H
	20 x 10	25 x 10	Ø 16	Ø 5
	2	2	2	2

Stripping: 10 mm  
 Terminal type: with screws  
 Terminal capacity up to: 2 x 2.5 mm<sup>2</sup>  
 Recommended screwdriver size: pozidrive No 2  
 Recommended tightening torque: 0.5 Nm

**5. TECHNICAL CHARACTERISTICS**

**5.1 Mechanical characteristics**

Protection against liquids: IP 21  
 Impact tests: IK 04

**5.2 Material characteristics**

Base: PC  
 Cover: PP  
 Rocker: ABS  
 Mechanism: PC

**5.3 Electrical characteristics**

Voltage: 250 VAC  
 Current: 6 A

**5.4 Climatic characteristics**

Storage and use temperature: - 25° C to + 60° C

## 6. CLEANING

Surface cleaning with a cloth.

Do not use: acetone, tar remover, trichloroethylene.

Resistance to the following agents: Hexane (EN 60669-1), Methylated spirits, Soapy water, Diluted ammonia, Diluted pure bleached 10%, Glass cleaning substance, Pre-impregnated wipes.

**Caution:** A preliminary test should be carried out if other specific cleaning products are to be used.

## 7. ACCESSORIES

### Lamp

Become illuminated with lamp Cat. No 7 824 57